



Main

Range of product	Harmony STM6
Product or component type	Modular HMI box
Operating system	Linux
Processor name	ARM Cortex-A8

Complementary

[Us] rated supply voltage	24 V DC power supply
Local signalling	LED multi-colour for status
Software package	EcoStruxure Operator Terminal Expert Web viewer
Processor frequency	800 MHz
Port Ethernet	10BASE-T/100BASE-T
Data storage equipment	1 GB Flash disk NAND
Memory description	512 kB backup memory 512 MB internal 1 GB flash
Integrated connection type	2 Ethernet TCP/IP - RJ45 COM1 serial link - SUB-D 9 - RS232C/RS422/RS485 (rate: 2400...115200 bps) USB 2.0 port - micro B USB Display port - RJ45 1 USB 2.0 port - USB type A
Type of cooling	Natural convection
Realtime clock	Built-in
Height	101 mm
Width	150.5 mm
Depth	63.3 mm
Net weight	0.456 kg

The information provided in this documentation contains general descriptions and/or technical characteristics of the products contained herein. This documentation is not intended as a substitute for and is not to be used for determining suitability or reliability of these products for specific user applications. It is the duty of any such user or integrator to perform the appropriate and complete risk analysis, evaluation and testing of the products with respect to the relevant specific application or use thereof. Neither Schneider Electric Industries SAS nor any of its affiliates or subsidiaries shall be responsible or liable for misuse of the information contained herein.

Environment

Standards	CSA C22.2 No 142 ANSI/ISA 12-12-01 UL 508 CSA C22.2 No 213 IEC 61132-2
Product certifications	CE UKCA CULus RCM KC CULus Class 1 Division 2 DNV ABS RINA BV
Pollution degree	2 conforming to EN 61131-2 Ed.3
Ambient air temperature for operation	0...60 °C
Ambient air temperature for storage	-20...60 °C
Relative humidity	10...90 % non-condensing
Operating altitude	2000
Shock resistance	147 m/s ² conforming to EN/IEC 61131-2
Vibration resistance	3.5 mm constant amplitude (f = 5...9 Hz) conforming to EN/IEC 61131-2 9.8 m/s ² (f = 9...150 Hz) conforming to EN/IEC 61131-2
Electromagnetic compatibility	Electrostatic discharge immunity test conforming to EN/IEC 61000-4-2 level 3

Packing Units

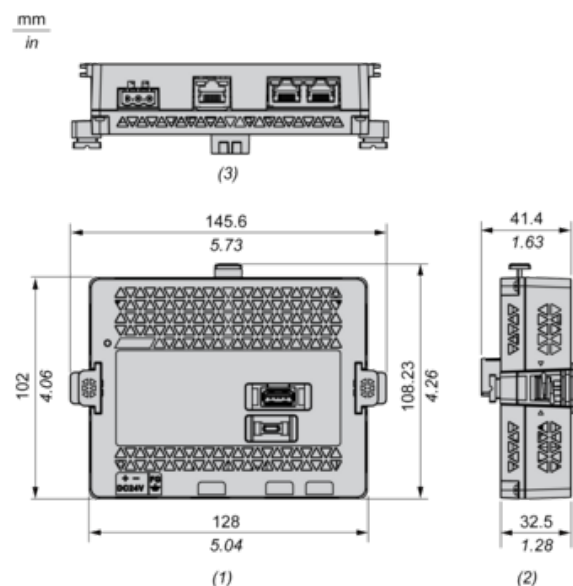
Unit Type of Package 1	PCE
Number of Units in Package 1	1
Package 1 Height	9.0 cm
Package 1 Width	17.6 cm
Package 1 Length	26.5 cm
Package 1 Weight	675.0 g
Unit Type of Package 2	S03
Number of Units in Package 2	6
Package 2 Height	30 cm
Package 2 Width	30 cm
Package 2 Length	40 cm
Package 2 Weight	4.895 kg
Package 3 Height	80 cm

Offer Sustainability

Sustainable offer status	Green Premium product
REACH Regulation	REACH Declaration
EU RoHS Directive	Pro-active compliance (Product out of EU RoHS legal scope) EU RoHS Declaration
Mercury free	Yes
China RoHS Regulation	China RoHS Declaration
RoHS exemption information	Yes
Environmental Disclosure	Product Environmental Profile
Circularity Profile	End Of Life Information
WEEE	The product must be disposed on European Union markets following specific waste collection and never end up in rubbish bins
California proposition 65	WARNING: This product can expose you to chemicals including: Lead and lead compounds, which is known to the State of California to cause cancer and birth defects or other reproductive harm. For more information go to www.P65Warnings.ca.gov

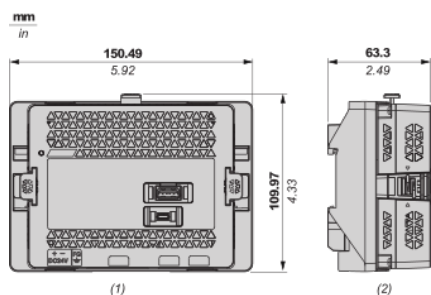
Dimensions

External dimensions



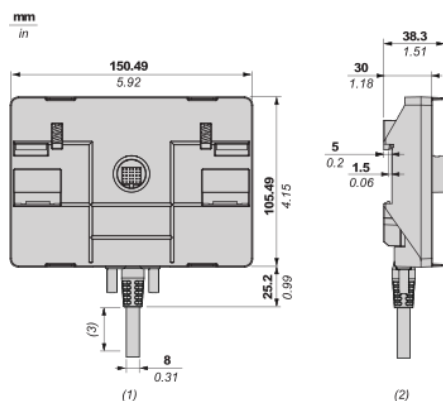
- (1) : Front
- (2) : Right
- (3) : Bottom

Dimension with installation adapter



- (1) : Front
- (2) : Right

Dimension with separation cable



(1) : Front

(2) : Right

(3) : To assemble this product, 20 mm (0.78 in) or more space required to bend the rubber portion at the end of the cable.