

Product datasheet

Specifications



Modular box PC, Harmony P6, advanced Intel Core i7 8665UE, 4 cores, 8 threads, for configured products

HMIP67BCTO

Main

Range of product	Harmony P6
Product or component type	Modular box PC
Device short name	HMIP67
Operating system	Windows 10 IoT Enterprise 64 bitmulti-language
Free slots	2 Internal SATA HDD/SSD with slide-in storage . RAID with Intel Rapid Storage Technology 1 M.2 SSD
Video controller type	Intel UHD Graphics 620

Complementary

Range compatibility	IDisplay Harmony P6 Harmony FP6
Accessory / separate part destination	PC panel on Harmony P6 Modular Display
Mounting location	Wall mounting Flat mounting Book mounting Panel
Processor name	Intel Core i7 8665UE 1.7 GHz turbo boost at 4.4 GHz
Integrated connection type	Display port with 1 DP on bottom DP++ Ethernet with 2 RJ45 10 BASE-T/100 BASE-TX/1000 BASE-T, transmission rate: 10/100/1000 Mbps on bottom IEEE 1588 supported COM1 serial link with 1 male SUB-D 9 RS232C, transmission rate: 2400...115200 bps on bottom USB 2.0 port with 2 USB type A, transmission rate: 480 Mbit/s on bottom USB 3.0 port with 2 USB type A, transmission rate: 5 Gbit/s on bottom USB 3.0 port with 1 USB type C, transmission rate: 5 Gbit/s on bottom TPM (Trusted Platform Module version 2) for cyber security - hardware encryption TPM module by default on motherboard
Memory description	8 GB, expandable to 64 GB RAM DDR4 internal in 2 slot(s)
Number of slots	2 slot(s) for optional interfaceslot-IN
Display resolution	4096 x 2304 pixels at 60 Hz
Watchdog timer	1...255 ms
Type of cooling	Fanless Fan with HDD
Electrical connection	Terminal block - location: bottom
[Us] rated supply voltage	24 V DC power supply 100...240 V AC power supply
Supply voltage limits	18...31.2 V 85...264 V

Inrush current	30 A
Power consumption in W	121 W 140 VA
Cyber secured boot	Secure password boot UEFI
Software package	Node-RED pre-installed EcoStruxure machine SCADA expert run time (on configured offer) EcoStruxure Operator Terminal Expert run time (on configured offer) AVEVA system platform installer (on configured offer) EcoStruxure Secure Connect Advisor (license to be purchased separately) EcoStruxure augmented operator advisor (license to be purchased separately) Stratus EverRun (exchange partner) (license to be purchased separately) McAfee (license to be purchased separately)
Control type	ON push-button
Local signalling	2 LEDs power: (LED), green, orange and red
Width	290 mm
Height	195 mm
Depth	65 mm
Product weight	3.5 kg
Environment	
IP degree of protection	IP20 conforming to IEC 61131-2
NEMA degree of protection	NEMA 4X/13
Standards	Level 3 EN/IEC 61000-4-2 IEC 61000-4-4 EN/IEC 61131-2 FCC part 15 Class I division 2 UL 61010-2-201
Product certifications	CE CULus CSA UL 61010-2-201 RCM UKCA DNV (DC model without HDD/fan/ EtherCAT card/22" wide display with expansion slot)
Ambient air temperature for operation	0...55 °C wall mounting (without HDD) side conforming to EN/IEC 60068-2-2 0...55 °C book mounting (without HDD) side 0...50 °C flat mounting (without HDD) top 0...50 °C book mounting (without HDD) top 0...45 °C wall mounting (with HDD and fan kit) side 0...45 °C book mounting (with HDD and fan kit) side 0...45 °C flat mounting (with HDD and fan kit) top 0...45 °C book mounting (with HDD and fan kit) top 0...55 °C panel (without HDD) landscape 0...50 °C panel (without HDD) portrait 0...45 °C panel (with HDD and fan kit) landscape 0...45 °C panel (with HDD and fan kit) portrait
Ambient air temperature for storage	-30...70 °C
Pollution degree	2
Relative humidity	10...90 % non-condensing
Operating altitude	2000 m
Vibration resistance	9.8 m/s ² (f = 9...150 Hz) M.2 SSD conforming to IEC 61131-2 9.8 m/s ² (f = 9...150 Hz) SSD conforming to IEC 61131-2 4.9 m/s ² (f = 9...150 Hz) HDD conforming to IEC 61131-2
Shock resistance	147 m/s ² X, Y, Z directions for 3 times conforming to IEC 61131-2
Quality labels	CE
Directives	2014/35/EU - low voltage directive 2014/30/EU - electromagnetic compatibility
Main type	Advanced
Number of slots available for expansion	2 slot(s) for optional interface 1 slot(s) for M.2 SSD 2 slot(s) for 2.5 inch HDD/SSD 2 slot(s) for PCI express 4x (optional)

Packing Units

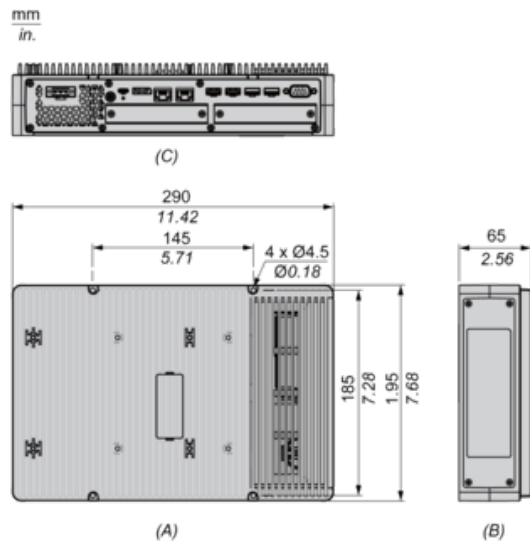
Unit Type of Package 1	PCE
Number of Units in Package 1	1
Package 1 Height	15.5 cm
Package 1 Width	28.0 cm
Package 1 Length	39.0 cm
Package 1 Weight	4.5 kg

Offer Sustainability

REACH Regulation	REACH Declaration
EU RoHS Directive	Pro-active compliance (Product out of EU RoHS legal scope) EU RoHS Declaration
Mercury free	Yes
RoHS exemption information	Yes
China RoHS Regulation	China RoHS declaration

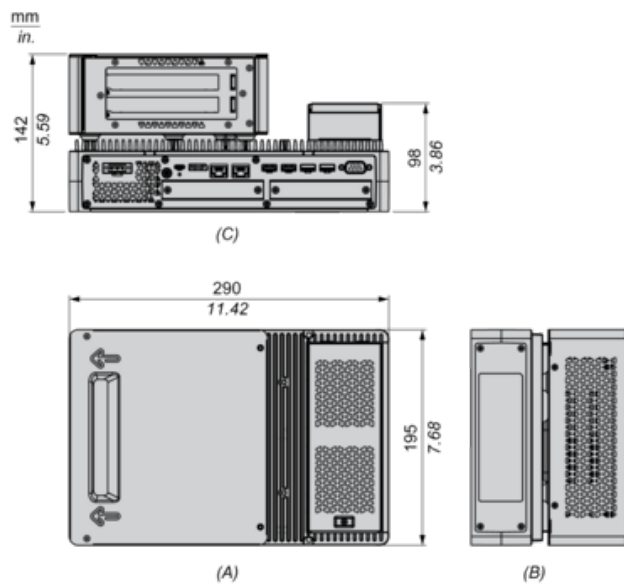
Dimensions

External Dimensions



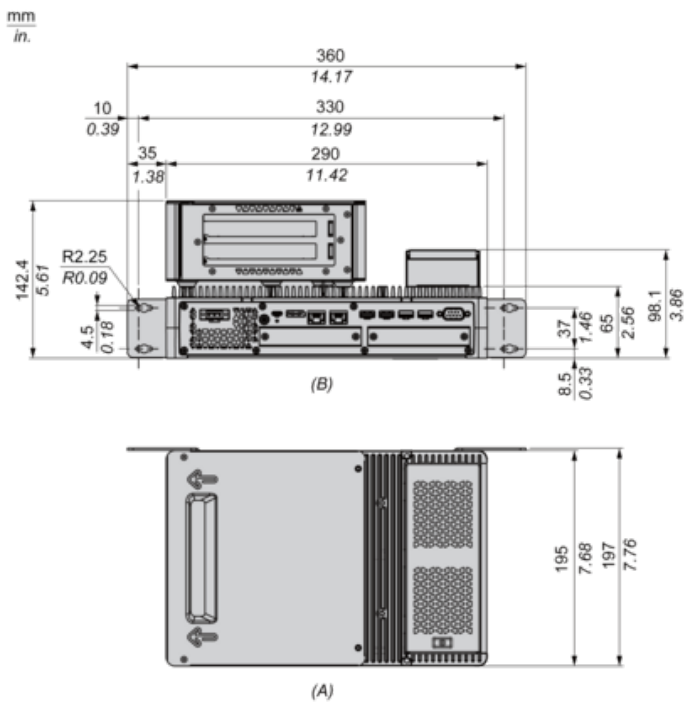
- (A) : Front
- (B) : Left
- (C) : Bottom

External Dimensions with PCI/PCIe Slots and FAN kit



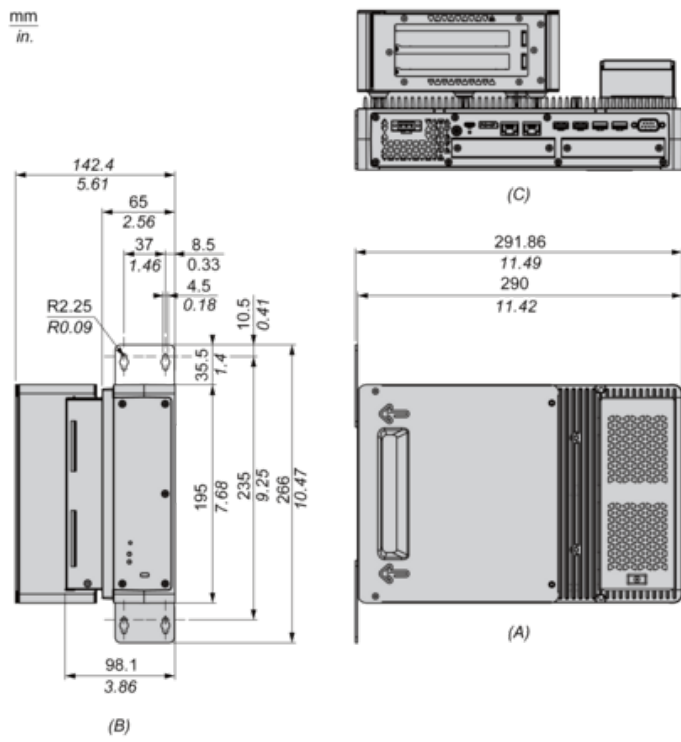
- (A) : Front
- (B) : Left
- (C) : Bottom

Dimensions with Book Mount Adapter (Top)



(A) : Front
(B) : Bottom

Dimensions with Book Mount Adapter (Side)



(A) : Front
(B) : Right
(C) : Bottom

Recommended replacement(s)