

Product datasheet

Specifications



Touch panel screen, Harmony ST6, 15"W display, 2COM, 2Ethernet, USB host&device, 24 VDC

HMIST6700

Main

Range of product	Harmony ST6
Product or component type	Touch panel screen
Processor name	ARM Cortex-A8

Complementary

Display size	15 inch
Display type	Colour TFT LCD
Display colour	16 million colours
Display resolution	1366 x 768 pixels FWXGA
Touch panel	Single touch analogue resistive
Backlight lifespan	50000 hours with white
Brightness	16 levels
Character font	ASCII ASCII (European characters) Chinese (simplified Chinese) Japanese (ANK, Kanji) Katakana Korean Taiwanese (traditional Chinese)
[Us] rated supply voltage	24 V DC (+/- 20 %)
Inrush current	30 A
Local signalling	Status LED green, steady for offline Status LED green, steady for operating Status LED green, flashing for operating Status LED green, faded for stand-by Status LED orange, flashing for software starting up Status LED red, steady for power supply (ON) Status LED red, flashing for operating Status LED red, off for power supply (OFF)
Power consumption in W	18.5 W
Number of pages	200 application pages
Software package	EcoStruxure Operator Terminal Expert
Processor frequency	800 MHz
Port Ethernet	10/100BASE
Memory description	1 GB device memory 512 kB backup memory 128 MB user data memory

Integrated connection type	1 COM1 serial link - 1 SUB-D 9-pin female - RS232C (rate: 2400...115200 bps)bottom 1 COM2 serial link - female RJ45 - RS485 (rate: 2400...115200 bps)back COM2 serial link (rate: 2400...187500 bps)back 1 USB 2.0 type A bottom 1 USB 2.0 type micro B 2 Ethernet
Supply	External supply
Realtime clock	Built-in 0...50 °C Built-in 10...90 % RH
Downloadable protocols	Modbus Uni-TE Third party protocols
Product brand	Schneider Electric Modicon Mitsubishi Melsec Omron Sysmac Rockwell Automation Allen-Bradley Siemens Simatic
Fixing mode	By 6 screws, mounting on 1.6...5 mm thick panel conforming to UL 61010-2-201 By 6 screws conforming to EN 61131-2 By 6 screws conforming to IEC 61000-6-2
Enclosure material	PC
Front material	Aluminium
Marking	CE
Cut-out dimensions	394 x 250 mm panel cut dimension
Height	268 mm
Width	412 mm
Depth	50 mm
Product weight	2.7 kg

Environment

Immunity to microbreaks	10 ms
Standards	EN 61000-6-4 EN 61000-6-2 EN 61131-2 UL 61010-2-201 CSA C22.2 No 61010-2-201
Product certifications	CSA CE UKCA
Directives	2014/35/EU - low voltage directive 2014/30/EU - electromagnetic compatibility
Ambient air temperature for operation	0...50 °C
Ambient air temperature for storage	-20...60 °C
Relative humidity	10...90 % non-condensing
Operating altitude	2000 m
IP degree of protection	IP20 (rear panel) conforming to IEC 61131-2 IP65 (front panel) conforming to IEC 61131-2
NEMA degree of protection	NEMA 4 front panel (indoor use) NEMA 13 front panel (in enclosure)
Shock resistance	147 m/s ² for 11 ms (X, Y, Z directions for 3 times) conforming to EN/IEC 61131-2
Vibration resistance	+/- 3.5 mm (f = 5...9 Hz) X, Y, Z directions for 10 cycles (approx. 100 min) conforming to EN/IEC 61131-2 9.8 m/s ² (f = 9...150 Hz)
Electromagnetic compatibility	Electrical fast transient/burst immunity test - test level: 2 kV (power ports) conforming to IEC 61000-4-4 Electrical fast transient/burst immunity test - test level: 1 kV (signal ports) Electrostatic discharge immunity test - test level: 6 kV (contact discharge) conforming to EN/IEC 61000-4-2 level 3 Electrostatic discharge immunity test - test level: 8 kV (air discharge)

Packing Units

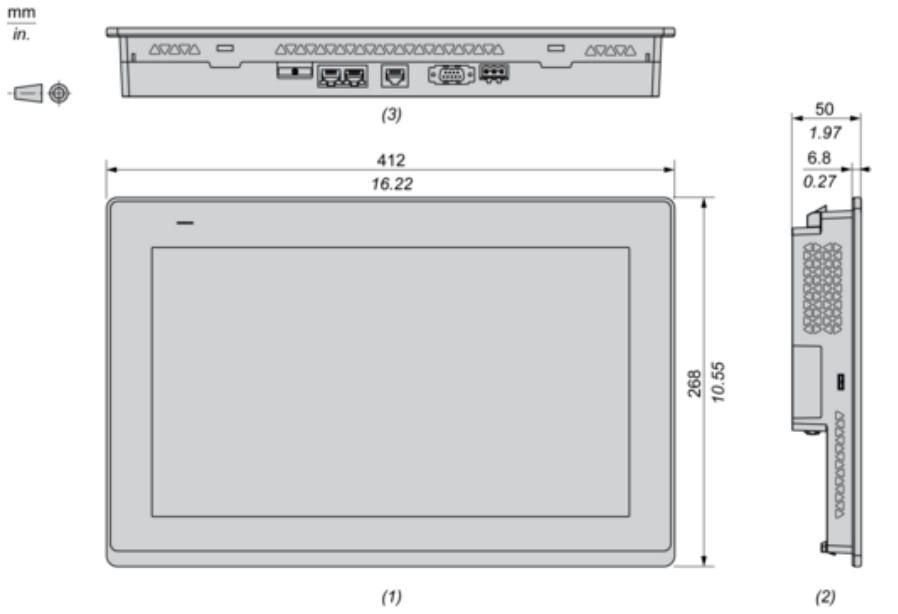
Unit Type of Package 1	PCE
Number of Units in Package 1	1
Package 1 Height	35.6 cm
Package 1 Width	12.4 cm
Package 1 Length	51.3 cm
Package 1 Weight	3.385 kg
Unit Type of Package 2	S04
Number of Units in Package 2	2
Package 2 Height	30.0 cm
Package 2 Width	40.0 cm
Package 2 Length	60.0 cm
Package 2 Weight	7.785 kg
Unit Type of Package 3	P12
Number of Units in Package 3	24
Package 3 Height	80.0 cm
Package 3 Width	120.0 cm
Package 3 Length	110.0 cm
Package 3 Weight	102.42 kg

Offer Sustainability

Sustainable offer status	Green Premium product
REACH Regulation	REACH Declaration
EU RoHS Directive	Pro-active compliance (Product out of EU RoHS legal scope) EU RoHS Declaration
Mercury free	Yes
RoHS exemption information	Yes
China RoHS Regulation	China RoHS declaration
Environmental Disclosure	Product Environmental Profile
Circularity Profile	End of Life Information
WEEE	The product must be disposed on European Union markets following specific waste collection and never end up in rubbish bins

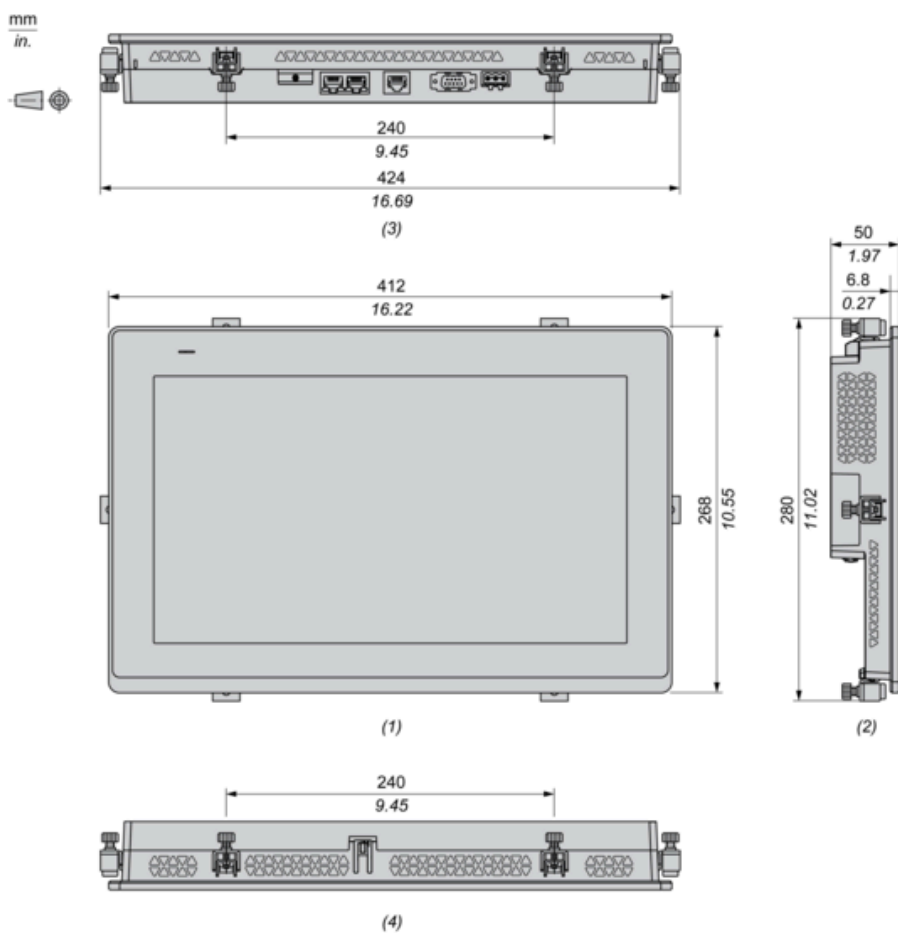
Dimensions

External Dimensions



- (1) : Front
- (2) : Left
- (3) : Bottom

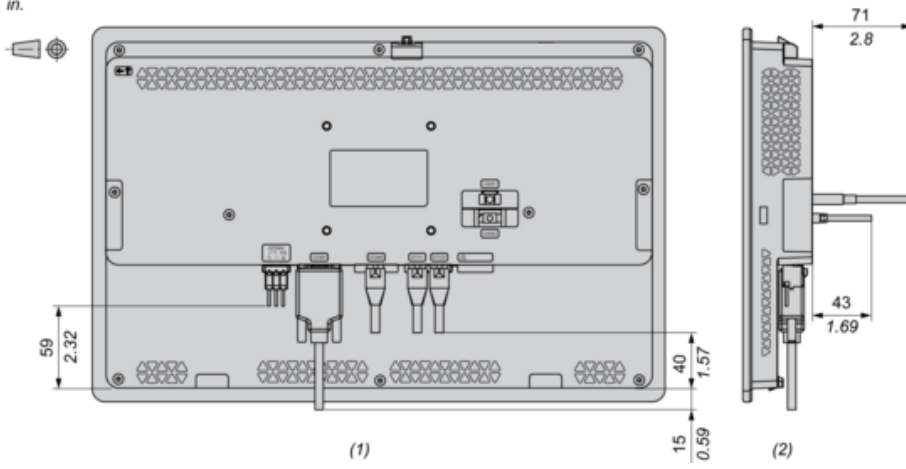
Dimensions with Installation Fasteners



- (1) : Front
- (2) : Left
- (3) : Bottom
- (4) : Top

Dimensions with Cables

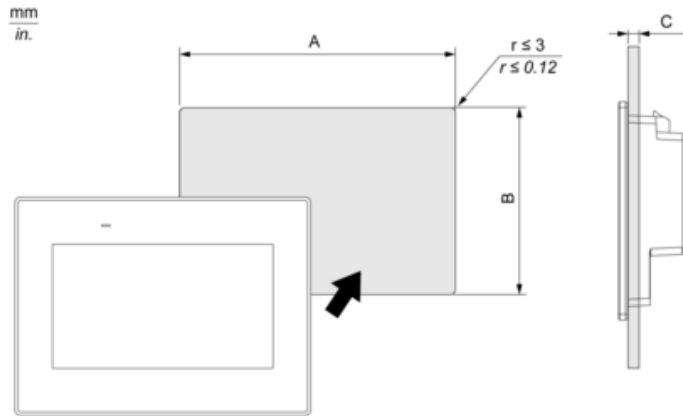
mm
in.



- (1) : Rear
- (2) : Right

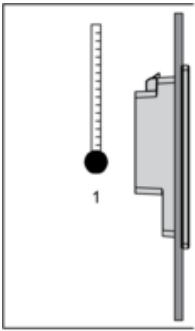
Mounting

Panel Cut Dimensions

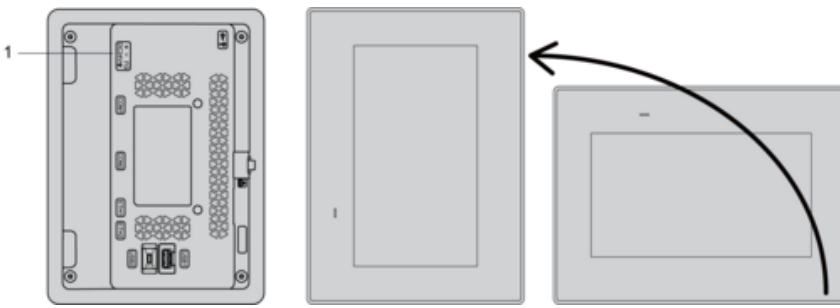


A		B		C	
mm	in.	mm	in.	mm	in.
394 (+1, -0)	15.51 (+0.04, -0)	250 (+1, -0)	9.84 (+0.04, -0)	1.6...5	0.06...0.2

Installation Requirements

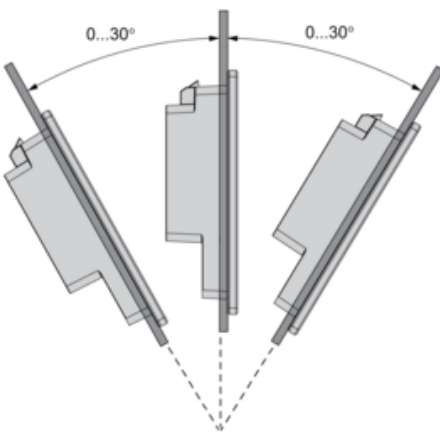


- 1 : Internal temperature
- 2 : External temperature

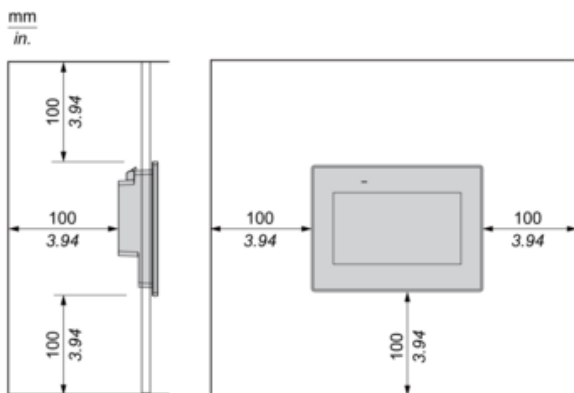


- 1 : Power connector

Mounting Angle



Clearance



Recommended replacement(s)