

# Product datasheet

Specifications



## Touch panel screen, Harmony STO & STU, 5"7 Color

HMISTU855

### Main

Range of product	Harmony STO & STU
Product or component type	Touch panel screen
Software designation	Vijeo Designer
Operating system	Harmony
Processor name	CPU ARM9

### Complementary

Display size	5.7 inch
Display type	QVGA TFT colour touchscreen
Display colour	65536 colours
Display resolution	320 x 240 pixels QVGA
Touch panel	Analogue
Backlight lifespan	50000 hours
Brightness	16 levels
Character font	Taiwanese (traditional Chinese) Japanese (ANK, Kanji) Chinese (simplified Chinese) ASCII Korean
[Us] rated supply voltage	24 V DC
Supply	External source
Supply voltage limits	20.4...28.8 V
Inrush current	30 A
Power consumption in W	6.8 W
Number of pages	Limited by internal memory capacity
Processor frequency	333 MHz
Memory description	Application memory 16 MB Back up of data 64 kB
Integrated connection type	1 USB 2.0 type mini B 1 USB 2.0 type A COM1 serial link - female RJ45 - RS232C/RS485 (rate: <= 115.2 kbits/s) power supply - removable screw terminal block 1 Ethernet - RJ45
Realtime clock	Access to the PLC real-time clock

<b>Downloadable protocols</b>	Uni-TE Modbus TCP/IP Third party protocols Modbus
<b>Fixing mode</b>	Ø 22 mm hole
<b>Enclosure material</b>	PC/PBT and PAA
<b>Marking</b>	With Schneider logo CE
<b>Height</b>	129.15 mm
<b>Width</b>	163 mm
<b>Depth</b>	56.5 mm

## Environment

<b>Immunity to microbreaks</b>	7 ms
<b>Standards</b>	UL 1604 FCC Class A IEC 61000-6-2 EN 61131-2 UL 508
<b>Product certifications</b>	UL class 1 Div2 T4A ou T5 C-Tick cULus Marine UKCA
<b>Ambient air temperature for operation</b>	0...50 °C
<b>Ambient air temperature for storage</b>	-20...60 °C
<b>Relative humidity</b>	0...85 % without condensation
<b>Operating altitude</b>	<= 2000 m
<b>IP degree of protection</b>	IP20 (rear panel) conforming to IEC 60529 IP65 (front panel) conforming to IEC 60529
<b>NEMA degree of protection</b>	NEMA 4X front panel (indoor use)
<b>Shock resistance</b>	15 gn for 11 ms conforming to IEC 60068-2-27
<b>Vibration resistance</b>	+/- 3.5 mm (f = 5...9 Hz) conforming to IEC 60068-2-6 1 gn (f = 9...150 Hz) conforming to IEC 60068-2-6
<b>Resistance to electromagnetic fields</b>	10 V/m conforming to IEC 61000-4-3

## Packing Units

<b>Unit Type of Package 1</b>	PCE
<b>Number of Units in Package 1</b>	1
<b>Package 1 Height</b>	6.961 cm
<b>Package 1 Width</b>	18.532 cm
<b>Package 1 Length</b>	26.974 cm
<b>Package 1 Weight</b>	865 g
<b>Unit Type of Package 2</b>	S03
<b>Number of Units in Package 2</b>	8
<b>Package 2 Height</b>	30 cm
<b>Package 2 Width</b>	30 cm
<b>Package 2 Length</b>	40 cm
<b>Package 2 Weight</b>	7436 g

<b>Unit Type of Package 3</b>	P12
<b>Number of Units in Package 3</b>	192
<b>Package 3 Height</b>	95 cm
<b>Package 3 Width</b>	80 cm
<b>Package 3 Length</b>	120 cm
<b>Package 3 Weight</b>	187464 g

## Offer Sustainability

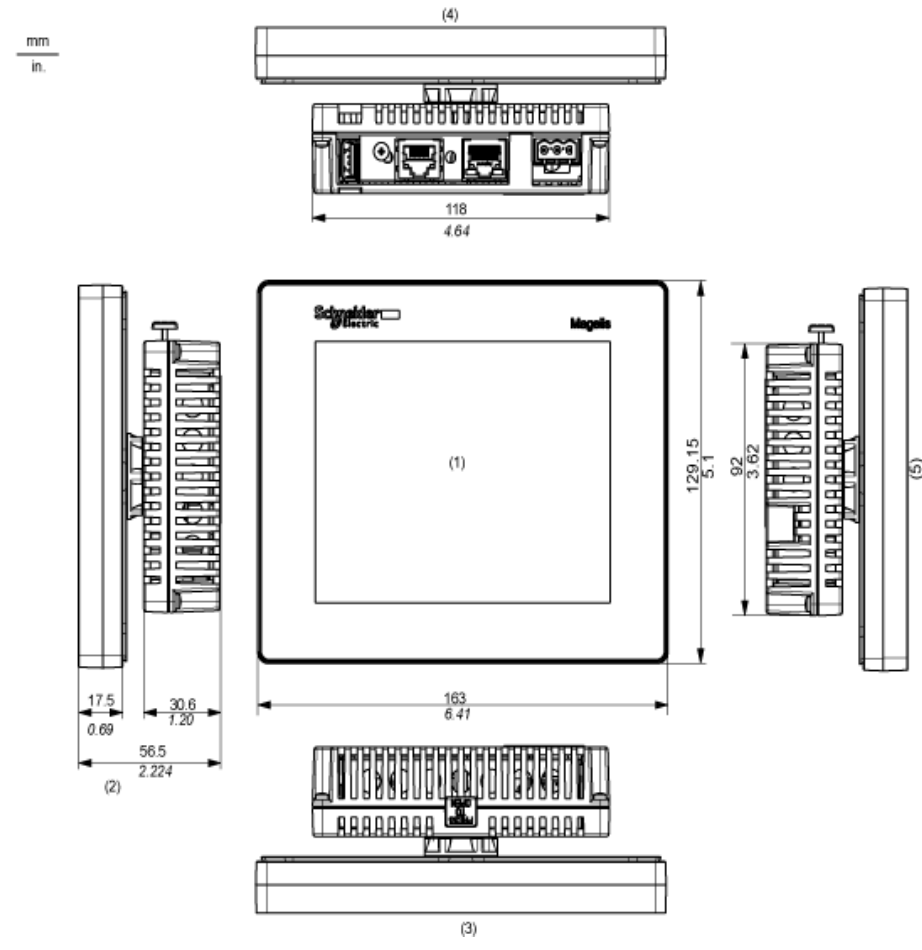
<b>Sustainable offer status</b>	Green Premium product
<b>REACH Regulation</b>	<a href="#">REACH Declaration</a>
<b>EU RoHS Directive</b>	Pro-active compliance (Product out of EU RoHS legal scope) <a href="#">EU RoHS Declaration</a>
<b>Mercury free</b>	Yes
<b>RoHS exemption information</b>	Yes
<b>China RoHS Regulation</b>	<a href="#">China RoHS declaration</a>
<b>Environmental Disclosure</b>	<a href="#">Product Environmental Profile</a>
<b>Circularity Profile</b>	<a href="#">End of Life Information</a>
<b>WEEE</b>	The product must be disposed on European Union markets following specific waste collection and never end up in rubbish bins
<b>Upgradeability</b>	<a href="#">Upgradeable through digital modules and upgraded components</a> 

## Contractual warranty

<b>Warranty</b>	18 months
-----------------	-----------

**Display and Rear Modules**

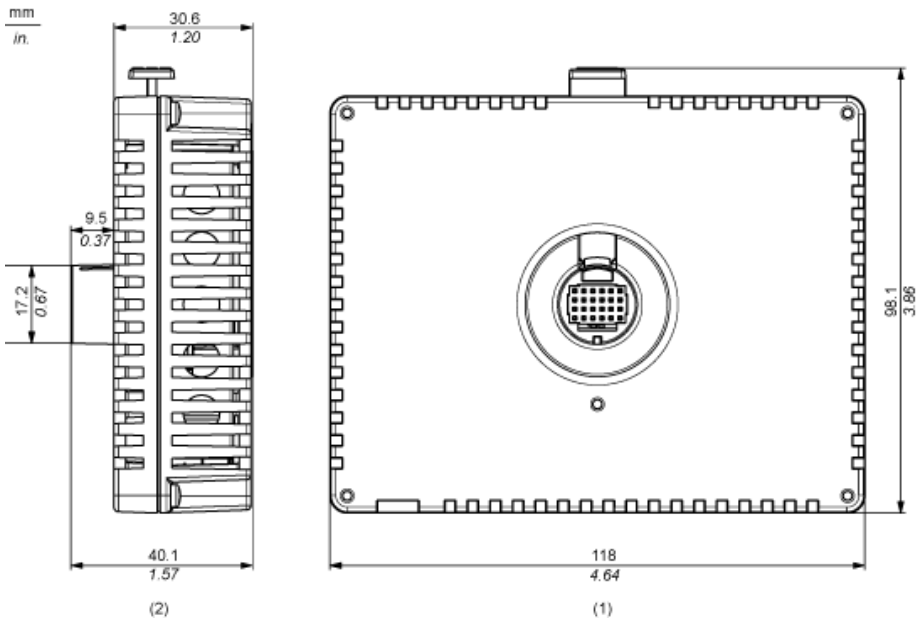
**Dimensions**



- (1) Front
- (2) Right side
- (3) Top
- (4) Bottom
- (5) Left side

## Rear Module

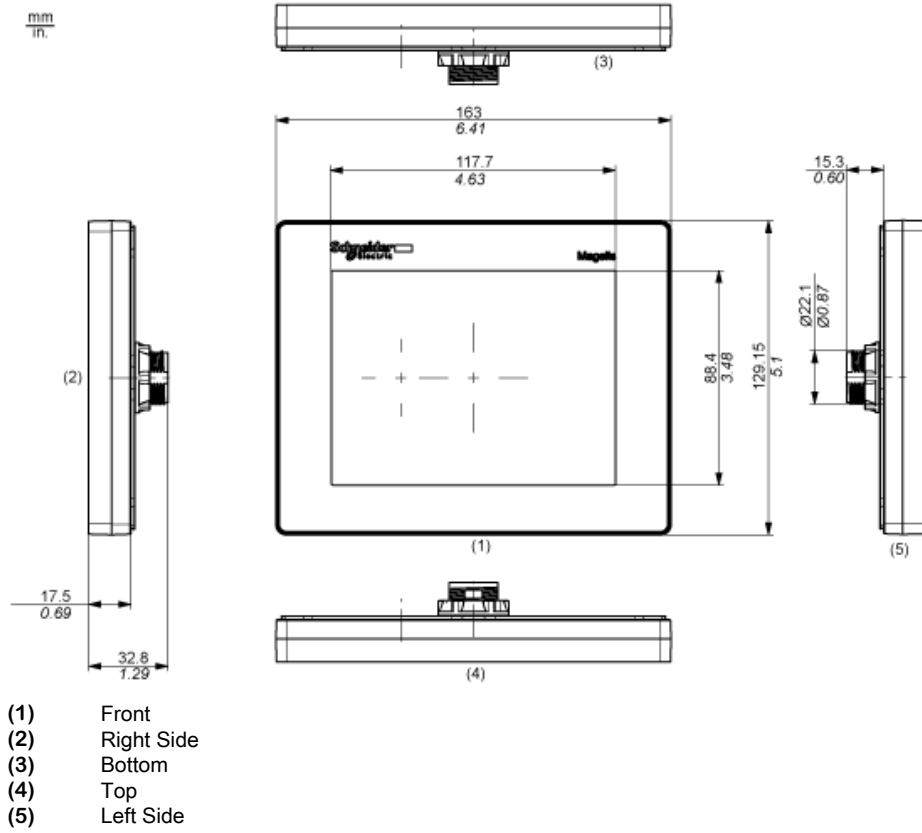
### Dimensions



- (1) Front
- (2) Right Side

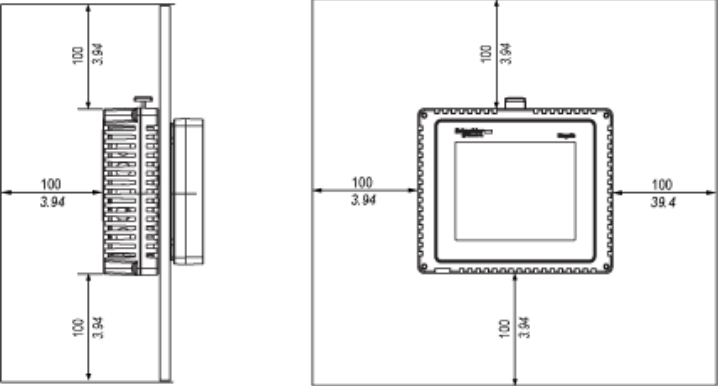
Display Module

Dimensions



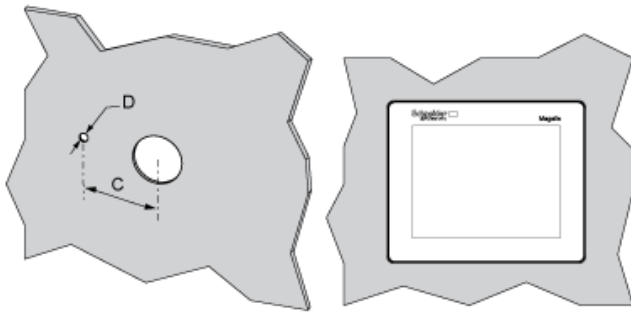
Clearance

mm  
in.



**Panel Cut-out Dimensions**

---



C (mm)	C (in.)	D (mm)	D (in.)
+0	+0	+0	+0
30.00	1.18	4.00	0.15
-0.20	-0.007	-0.20	-0.007

**NOTE:** With the tee option, the rotating torque that can be supported by the display module is 6 Nm (53.10 in-lb).

**Recommended replacement(s)**