

Product datasheet

Specifications



Modular box PC, Harmony iPC, HMIBM Performance DC Base unit 8 GB 2 slots

HMIBMP0I74D2001

Main

Range of product	Harmony iPC
Product or component type	Modular box PC
Device short name	Modular BOX PC Performance
Range compatibility	IDisplay Modular Display HMIDM
Accessory / separate part destination	PC panel on HMIDM modular display
Processor name	Intel Core i7 4650U 1.7 GHz turbo boost at 3.3 GHz
Chipset type	Intel QM87
Video controller type	Intel HD Graphics 5000
Software package	Node-RED and system nodes restore IIoT Wiring Operating System Restore McAfee white listing installer cyber security license not included EcoStruxure secure connect advisor annual subscription cyber security license not included EcoStruxure Operator Terminal Expert run time HMI license not included EcoStruxure machine SCADA expert run time HMI/SCADA on configured offer only EcoStruxure augmented operator advisor server augmented operator license not included

Complementary

Mounting location	Wall mounting Flat mounting Book mounting
Memory description	8 GB RAM DDR3 internal (not expandable) 512 kB MRAM internal
Free slots	2 Internal SATA HDD/SSD with slide-in HMIYMADSDD1 to mount . hot swap RAID with Intel Rapid Storage Technology 1 CFast 1 mSATA
Number of slots	2 slot(s) for mini PCI Express full-size
Number of slots available for expansion	2 slot(s) for mini PCIe
Display resolution	3200 x 2000 pixels at 60 Hz
Watchdog timer	1...255 ms
Type of cooling	Fanless Fan required to mount PCI/PCIe cards above 3 W
Electrical connection	Screw connector, connector type: pin, 1 way, circuit application: ground - location: bottom Connector, connector type: SMA, 3 ways - location: top
Integrated connection type	Display port with 1 on bottom Display port with 1 on front Ethernet with 2 RJ45 I210, transmission rate: 10/100/1000 Mbps on bottom IEEE 1588 supported COM1 serial link for battery backup with 1 male SUB-D 9 RS232/422/485 on bottom

USB 2.0 port with 2 USB type A, transmission rate: 480 Mbit/s on bottom
 USB 3.0 port with 2 USB type A, transmission rate: 5 Gbit/s on bottom
 TPM connector Ver 1.2 for cyber security - hardware encryption TPM module HMIYMINATPM201 to be installed/default installed on motherboard

[Us] rated supply voltage	24 V DC power supply 100...240 V AC power supply
Supply voltage limits	18...36 V
Inrush current	8.9 A
Power consumption in W	40.0 W (box) 44.0 W (with 4:3 12" display HMIDM6421) 43.0 W (with Wide 12" display HMIDM6521) 45 W (with 4:3 15" display HMIDM7421) 46 W (with Wide 15" display HMIDM7521) 48 W (with Wide 19" display HMIDM9521) 51 W (with Wide 22" display HMIDMA521)
Control type	ON/OFF button
Main type	Performance
Depth	65.2 mm
Height	207 mm
Width	254 mm
Product weight	3.1 kg

Environment

Standards	Class A group 1 EN 55011 EN 61000-6-4 EN 61131-2 FCC part 15 UL 61010
Product certifications	CE CULus CULus CSA 22-2 No 142 CULus HazLoc Class I Division 2 ANSI/ISA 12-12-01 CULus HazLoc Class I Division 2 CSA 22-2 No 213 ATEX CCC RCM Marine GL Bridge EAC IEC Ex hazardous locations 3GD zone 2/22
Quality labels	CE
Directives	2006/95/EC - low voltage directive 2004/108/EC - electromagnetic compatibility
IP degree of protection	IP40 conforming to IEC 60529
Electromagnetic compatibility	Immunity to high frequency interference conforming to IEC 61000-4 Disturbing field emission class A conforming to EN 55011 Conducted and radiated emissions class A conforming to EN 55022
Ambient air temperature for storage	-30...70 °C conforming to IEC 60068-2-2 -30...70 °C conforming to IEC 60068-2-14
Relative humidity	10...95 % non-condensing conforming to EN/IEC 60068-2-30
Ambient air temperature for operation	0...55 °C (by default) conforming to EN/IEC 60068-2-2 0...50 °C flat mounting conforming to EN/IEC 60068-2-2 0...45 °C on PCI/PCIe HMIDM modular display with HDD conforming to EN/IEC 60068-2-2 0...40 °C flat mounting on HDD conforming to EN/IEC 60068-2-2 0...40 °C flat mounting on mini PCIe conforming to EN/IEC 60068-2-2 0...40 °C flat mounting on PCI/PCIe conforming to EN/IEC 60068-2-2 0...50 °C conforming to 2 on mini PCIe HMIDM modular display conforming to EN/IEC 60068-2-2
Operating altitude	2000 m conforming to IEC 60664-1
Vibration resistance	2 gn (f = 5...500 Hz) SSD or CFAST 1 gn (f = 5...500 Hz) HDD

Packing Units

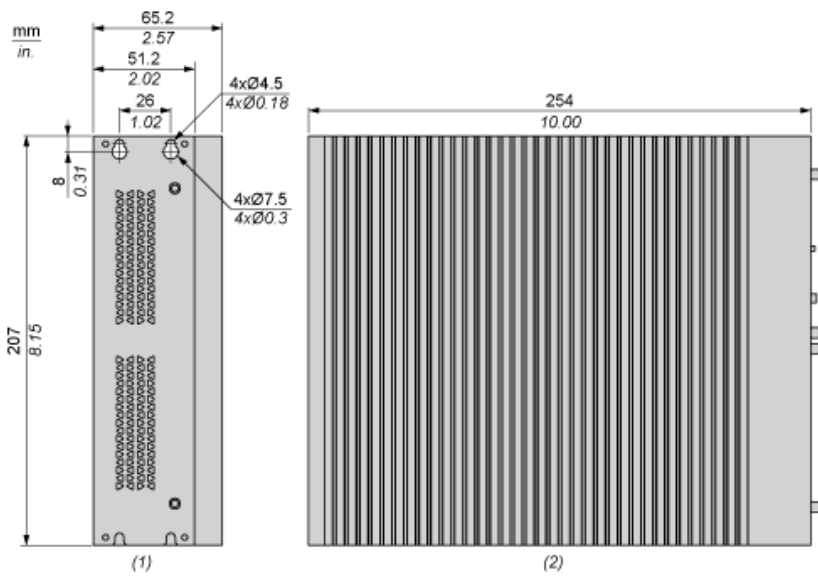
Unit Type of Package 1	PCE
Number of Units in Package 1	1

Package 1 Height	26.0 cm
Package 1 Width	44.5 cm
Package 1 Length	48.0 cm
Package 1 Weight	5.243 kg

Offer Sustainability

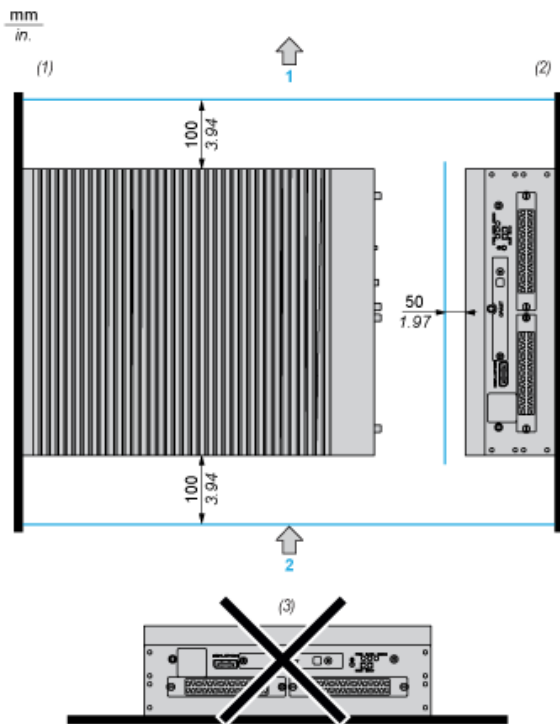
REACH Regulation	REACH Declaration
REACH free of SVHC	Yes
EU RoHS Directive	Pro-active compliance (Product out of EU RoHS legal scope) EU RoHS Declaration
Mercury free	Yes
RoHS exemption information	Yes
China RoHS Regulation	China RoHS declaration
WEEE	The product must be disposed on European Union markets following specific waste collection and never end up in rubbish bins

Dimensions



- (1) Rear view
- (2) Left view

Spacing Requirements



- 1 : Air out
- 2 : Air in
- (1) Book mounting : Vertical mounting with rear fixing
- (2) Wall mounting : Vertical mounting with side fixing
- (3) Horizontal mounting

Recommended replacement(s)