

# Product datasheet

Specifications



## Modular box PC, Harmony iPC, HMIBM Universal DC Base unit 4 GB 4 slots

HMIBMU0I29D4001

### Main

Range of product	Harmony iPC
Product or component type	Modular box PC
Device short name	Modular BOX PC Universal
Range compatibility	Modular Display HMIDM IDisplay
Accessory / separate part destination	PC panel on HMIDM modular display
Processor name	Intel Celeron 2980U 1.6 GHz
Chipset type	Intel QM87
Video controller type	Intel HD Graphics
Software package	Node-RED and system nodes restore IIoT Wiring Operating System Restore McAfee white listing installer cyber security license not included EcoStruxure secure connect advisor annual subscription cyber security license not included EcoStruxure Operator Terminal Expert run time HMI license not included EcoStruxure machine SCADA expert run time HMI/SCADA on configured offer only EcoStruxure augmented operator advisor server augmented operator license not included

### Complementary

Mounting location	Flat mounting Wall mounting Book mounting
Memory description	4 GB RAM DDR3 internal (not expandable) 512 kB MRAM internal
Free slots	2 Internal SATA HDD/SSD with slide-in HMIYMADSDD1 to mount . hot swap RAID with Intel Rapid Storage Technology 1 CFast 1 mSATA
Number of slots	1 slot(s) for PCI 1 slot(s) for PCI express 4x 2 slot(s) for mini PCI Express full-size
Number of slots available for expansion	2 slot(s) for mini PCIe 1 slot(s) for PCI 1 slot(s) for PCI express 4x
Display resolution	3200 x 2000 pixels at 60 Hz
Watchdog timer	1...255 ms
Type of cooling	Fanless Fan required to mount PCI/PCIe cards above 3 W
Electrical connection	Screw connector, connector type: pin, 1 way, circuit application: ground - location: bottom Connector, connector type: SMA, 3 ways - location: top
Integrated connection type	Display port with 1 on bottom

Display port with 1 on front  
 Ethernet with 2 RJ45 I210, transmission rate: 10/100/1000 Mbps on bottom IEEE 1588 supported  
 COM1 serial link for battery backup with 1 male SUB-D 9 RS232/422/485 on bottom  
 USB 2.0 port with 2 USB type A, transmission rate: 480 Mbit/s on bottom  
 USB 3.0 port with 2 USB type A, transmission rate: 5 Gbit/s on bottom  
 TPM connector Ver 1.2 for cyber security - hardware encryption TPM module HMIYMINATPM201 to be installed/default installed on motherboard

<b>[Us] rated supply voltage</b>	24 V DC power supply 100...240 V AC power supply
<b>Supply voltage limits</b>	18...36 V
<b>Inrush current</b>	8.9 A
<b>Power consumption in W</b>	35.0 W (box) 39.0 W (with 4:3 12" display HMIDM6421) 37.0 W (with Wide 12" display HMIDM6521) 40 W (with 4:3 15" display HMIDM7421) 41 W (with Wide 15" display HMIDM7521) 43 W (with Wide 19" display HMIDM9521) 45 W (with Wide 22" display HMIDMA521)
<b>Control type</b>	ON/OFF button
<b>Main type</b>	Universal
<b>Depth</b>	103.2 mm
<b>Height</b>	207 mm
<b>Width</b>	254 mm
<b>Product weight</b>	3.9 kg

## Environment

<b>Standards</b>	Class A group 1 EN 55011 EN 61000-6-4 EN 61131-2 FCC part 15 UL 61010
<b>Product certifications</b>	CE CULus CULus CSA 22-2 No 142 CULus HazLoc Class I Division 2 ANSI/ISA 12-12-01 CULus HazLoc Class I Division 2 CSA 22-2 No 213 ATEX CCC RCM EAC IEC Ex hazardous locations 3GD zone 2/22
<b>Quality labels</b>	CE
<b>Directives</b>	2006/95/EC - low voltage directive 2004/108/EC - electromagnetic compatibility
<b>IP degree of protection</b>	IP40 conforming to IEC 60529
<b>Electromagnetic compatibility</b>	Immunity to high frequency interference conforming to IEC 61000-4 Disturbing field emission class A conforming to EN 55011 Conducted and radiated emissions class A conforming to EN 55022
<b>Ambient air temperature for storage</b>	-30...70 °C conforming to IEC 60068-2-2 -30...70 °C conforming to IEC 60068-2-14
<b>Relative humidity</b>	10...95 % non-condensing conforming to EN/IEC 60068-2-30
<b>Ambient air temperature for operation</b>	0...55 °C (by default) conforming to EN/IEC 60068-2-2 0...50 °C flat mounting 0...45 °C on PCI/PCIe HMIDM modular display with HDD 0...40 °C flat mounting on HDD 0...40 °C flat mounting on mini PCIe 0...40 °C flat mounting on PCI/PCIe 0...45 °C conforming to 2 on mini PCIe HMIDM modular display
<b>Operating altitude</b>	2000 m conforming to IEC 60664-1
<b>Vibration resistance</b>	2 gn (f = 5...500 Hz) SSD or CFast 1 gn (f = 5...500 Hz) HDD

## Packing Units

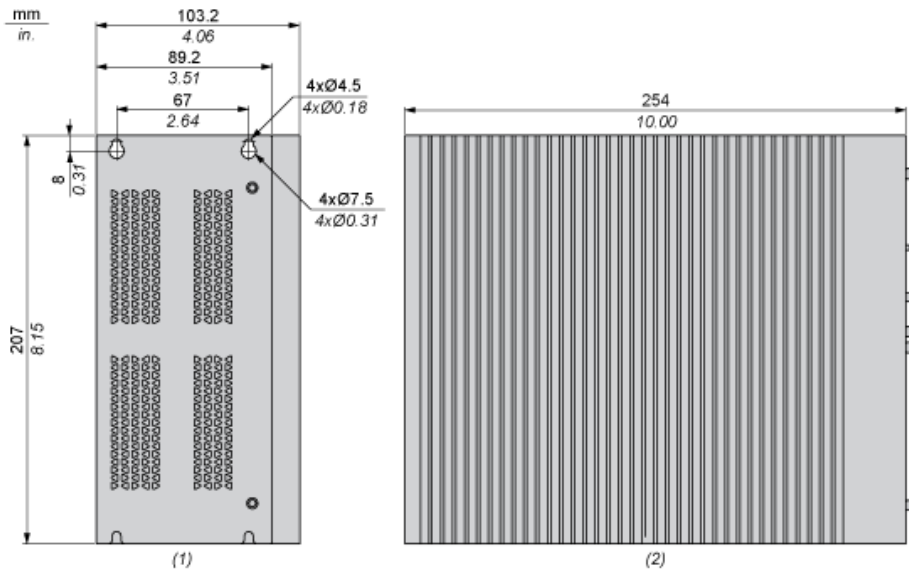
<b>Unit Type of Package 1</b>	PCE
-------------------------------	-----

<b>Number of Units in Package 1</b>	1
<b>Package 1 Height</b>	10.3 cm
<b>Package 1 Width</b>	20.7 cm
<b>Package 1 Length</b>	25.4 cm
<b>Package 1 Weight</b>	3.9 kg
<b>Unit Type of Package 2</b>	CAR
<b>Number of Units in Package 2</b>	1
<b>Package 2 Height</b>	45.0 cm
<b>Package 2 Width</b>	24.5 cm
<b>Package 2 Length</b>	43.0 cm
<b>Package 2 Weight</b>	5.9 kg

## Offer Sustainability

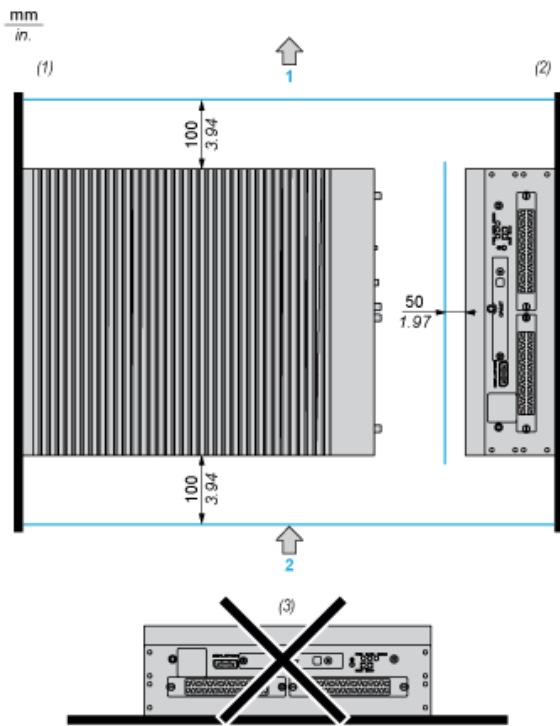
<b>REACH Regulation</b>	<a href="#">REACH Declaration</a>
<b>REACH free of SVHC</b>	Yes
<b>EU RoHS Directive</b>	Pro-active compliance (Product out of EU RoHS legal scope) <a href="#">EU RoHS Declaration</a>
<b>Mercury free</b>	Yes
<b>RoHS exemption information</b>	<a href="#">Yes</a>
<b>China RoHS Regulation</b>	<a href="#">China RoHS declaration</a>
<b>WEEE</b>	The product must be disposed on European Union markets following specific waste collection and never end up in rubbish bins

Dimensions



- (1) Rear view
- (2) Left view

Spacing Requirements



- 1 : Air out
- 2 : Air in
- (1) Book mounting : Vertical mounting with rear fixing
- (2) Wall mounting : Vertical mounting with side fixing
- (3) Horizontal mounting

Recommended replacement(s)