

Product data sheet

Specifications



Logic controller, Modicon M241, 40 IO relay

TM241C40R

Main

| | |
|---------------------------|--|
| Range of product | Modicon M241 |
| Product or component type | Logic controller |
| [Us] rated supply voltage | 100...240 V AC |
| Discrete input number | 24, discrete input 8 fast input conforming to IEC 61131-2 Type 1 |
| Discrete output type | Relay Transistor |
| Discrete output number | 4 transistor 4 fast output 12 relay |
| Discrete output voltage | 5...125 V DC for relay output 5...250 V AC for relay output 24 V DC for transistor output |
| Discrete output current | 0.1 A for fast output (PTO mode) (TR0...TR3) 2 A for relay output (Q4...Q15) 0.5 A for transistor output (TR0...TR3) |

Complementary

| | |
|--|---|
| Discrete I/O number | 40 |
| Maximum number of I/O expansion module | 7 (local I/O-Architecture) 14 (remote I/O-Architecture) |
| Supply voltage limits | 85...264 V |
| Network frequency | 50/60 Hz |
| Discrete input logic | Sink or source |
| Discrete input voltage | 24 V |
| Discrete input voltage type | DC |
| Voltage state 1 guaranteed | ≥ 15 V for input |
| Voltage state 0 guaranteed | ≤ 5 V for input |
| Discrete input current | 7 mA for input |
| Input impedance | 4.7 kOhm for input |
| Response time | 50 μ s turn-on, I0...I15 terminal(s) for input |
| Configurable filtering time | 1 μ s for fast input |
| Discrete output logic | Positive logic (source) |
| Output voltage limits | 125 V DC relay output 30 V DC transistor output 277 V AC relay output |

| | |
|---|--|
| Maximum output frequency | 1 kHz for transistor output 20 kHz for fast output (PWM mode) 100 kHz for fast output (PLS mode) |
| Accuracy | +/- 0.1 % at 0.02...0.1 kHz for fast output |
| Protection type | Short-circuit protection for transistor output Short-circuit and overload protection with automatic reset for transistor output Reverse polarity protection for transistor output Without protection for relay output |
| Reset time | 10 ms automatic reset output 12 s automatic reset fast output |
| Memory capacity | 8 MB for program 64 MB for system memory RAM |
| Data backed up | 128 MB built-in flash memory for backup of user programs |
| Data storage equipment | <= 16 GB SD card (optional) |
| Battery type | BR2032 lithium non-rechargeable, battery life: 4 year(s) |
| Backup time | 2 years at 25 °C |
| Execution time for 1 KInstruction | 0.3 ms for event and periodic task 0.7 ms for other instruction |
| Application structure | 4 cyclic master tasks 3 cyclic master tasks + 1 freewheeling task 8 external event tasks 8 event tasks |
| Realtime clock | With |
| Clock drift | <= 60 s/month at 25 °C |
| Positioning functions | PTO function 4 channel(s) (positioning frequency: 100 kHz) |
| Counting input number | 4 fast input (HSC mode) at 200 kHz 14 standard input at 1 kHz |
| Control signal type | A/B at 100 kHz for fast input (HSC mode) Pulse/direction at 200 kHz for fast input (HSC mode) Single phase at 200 kHz for fast input (HSC mode) |
| Integrated connection type | Non isolated serial link serial 1 with RJ45 connector and RS232/RS485 interface Non isolated serial link serial 2 with removable screw terminal block connector and RS485 interface USB port with mini B USB 2.0 connector |
| Supply | (serial 1)serial link supply: 5 V, <200 mA |
| Transmission rate | 1.2...115.2 kbit/s (115.2 kbit/s by default) for bus length of 15 m for RS485 1.2...115.2 kbit/s (115.2 kbit/s by default) for bus length of 3 m for RS232 480 Mbit/s for bus length of 3 m for USB |
| Communication port protocol | Non isolated serial link: Modbus master/slave |
| Local signalling | 1 LED (green) for PWR 1 LED (green) for RUN 1 LED (red) for module error (ERR) 1 LED (red) for I/O error (I/O) 1 LED (green) for SD card access (SD) 1 LED (red) for BAT 1 LED (green) for SL1 1 LED (green) for SL2 1 LED (red) for bus fault on TM4 (TM4) 1 LED per channel (green) for I/O state |
| Electrical connection | removable screw terminal blockfor inputs and outputs (pitch 5.08 mm) removable screw terminal blockfor connecting the 24 V DC power supply (pitch 5.08 mm) |
| Maximum cable distance between devices | Unshielded cable: <50 m for input Shielded cable: <10 m for fast input Unshielded cable: <50 m for output Shielded cable: <3 m for fast output |
| Insulation | Between supply and internal logic at 500 V AC Non-insulated between supply and ground |
| Marking | CE |
| Sensor power supply | 24 V DC at 400 mA supplied by the controller |
| Surge withstand | 2 kV power lines (AC) common mode conforming to EN/IEC 61000-4-5 2 kV relay output common mode conforming to EN/IEC 61000-4-5 1 kV shielded cable common mode conforming to EN/IEC 61000-4-5 1 kV power lines (AC) differential mode conforming to EN/IEC 61000-4-5 1 kV relay output differential mode conforming to EN/IEC 61000-4-5 |

1 kV input common mode conforming to EN/IEC 61000-4-5
 1 kV transistor output common mode conforming to EN/IEC 61000-4-5

| | |
|-------------------------|---|
| Mounting support | Top hat type TH35-15 rail conforming to IEC 60715 Top hat type TH35-7.5 rail conforming to IEC 60715 plate or panel with fixing kit |
| Height | 90 mm |
| Depth | 95 mm |
| Width | 190 mm |
| Net weight | 0.62 kg |

Environment

| | |
|--|--|
| Standards | ANSI/ISA 12-12-01 CSA C22.2 No 142 CSA C22.2 No 213 EN/IEC 61131-2:2007 Marine specification (LR, ABS, DNV, GL) UL 1604 UL 508 |
| Product certifications | RCM CSA cULus IACS E10 |
| Resistance to electrostatic discharge | 8 kV in air conforming to EN/IEC 61000-4-2 4 kV on contact conforming to EN/IEC 61000-4-2 |
| Resistance to electromagnetic fields | 10 V/m 80 MHz...1 GHz conforming to EN/IEC 61000-4-3 3 V/m 1.4 GHz...2 GHz conforming to EN/IEC 61000-4-3 1 V/m 2 GHz...3 GHz conforming to EN/IEC 61000-4-3 |
| Resistance to fast transients | 2 kV (power lines) conforming to EN/IEC 61000-4-4 2 kV (relay output) conforming to EN/IEC 61000-4-4 1 kV (serial link) conforming to EN/IEC 61000-4-4 1 kV (input) conforming to EN/IEC 61000-4-4 1 kV (transistor output) conforming to EN/IEC 61000-4-4 |
| Resistance to conducted disturbances | 10 V 0.15...80 MHz conforming to EN/IEC 61000-4-6 3 V 0.1...80 MHz conforming to Marine specification (LR, ABS, DNV, GL) 10 V spot frequency (2, 3, 4, 6.2, 8.2, 12.6, 16.5, 18.8, 22, 25 MHz) conforming to Marine specification (LR, ABS, DNV, GL) |
| Electromagnetic emission | Conducted emissions - test level: 120...69 dB μ V/m QP (power lines) at 10...150 kHz conforming to EN/IEC 55011 Conducted emissions - test level: 63 dB μ V/m QP (power lines) at 1.5...30 MHz conforming to EN/IEC 55011 Conducted emissions - test level: 79 dB μ V/m QP/66 dB μ V/m AV (power lines) at 0.15...0.5 MHz conforming to EN/IEC 55011 Conducted emissions - test level: 73 dB μ V/m QP/60 dB μ V/m AV (power lines) at 0.5...300 MHz conforming to EN/IEC 55011 Radiated emissions - test level: 40 dB μ V/m QP class A (10 m) at 30...230 MHz conforming to EN/IEC 55011 Conducted emissions - test level: 79...63 dB μ V/m QP (power lines) at 150...1500 kHz conforming to EN/IEC 55011 Radiated emissions - test level: 47 dB μ V/m QP class A (10 m) at 230...1000 MHz conforming to EN/IEC 55011 |
| Immunity to microbreaks | 10 ms |
| Ambient air temperature for operation | -10...50 °C (vertical installation) -10...55 °C (horizontal installation) |
| Ambient air temperature for storage | -25...70 °C |
| Relative humidity | 10...95 %, without condensation (in operation) 10...95 %, without condensation (in storage) |
| IP degree of protection | IP20 with protective cover in place |
| Pollution degree | 2 |
| Operating altitude | 0...2000 m |
| Storage altitude | 0...3000 m |
| Vibration resistance | 3.5 mm at 5...8.4 Hz on symmetrical rail 3 gn at 8.4...150 Hz on symmetrical rail 3.5 mm at 5...8.4 Hz on panel mounting 3 gn at 8.4...150 Hz on panel mounting |
| Shock resistance | 15 gn for 11 ms |

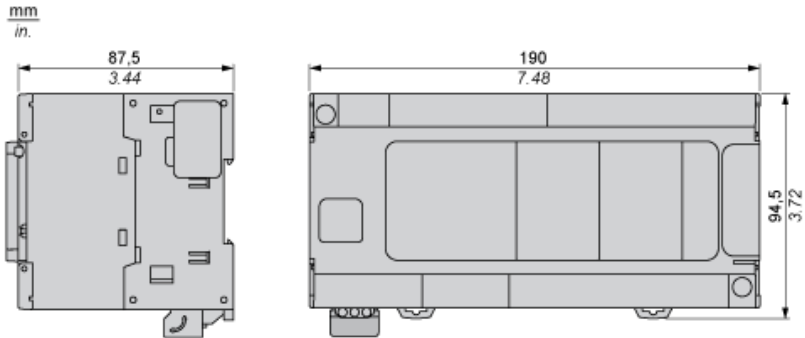
Packing Units

| | |
|------------------------------|----------|
| Unit Type of Package 1 | PCE |
| Number of Units in Package 1 | 1 |
| Package 1 Height | 12.8 cm |
| Package 1 Width | 11.46 cm |
| Package 1 Length | 22.61 cm |
| Package 1 Weight | 0.93 kg |
| Unit Type of Package 2 | S03 |
| Number of Units in Package 2 | 6 |
| Package 2 Height | 30 cm |
| Package 2 Width | 30 cm |
| Package 2 Length | 40 cm |
| Package 2 Weight | 6.22 kg |

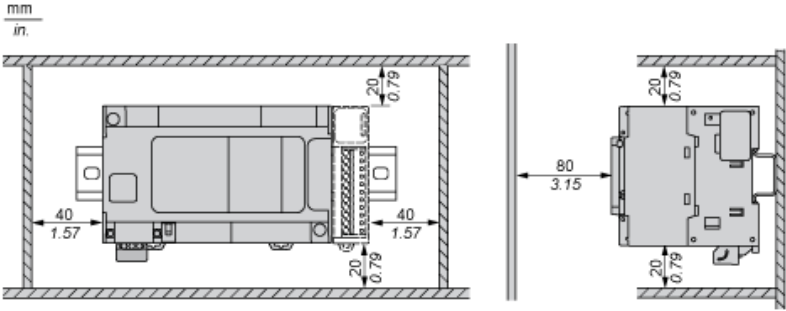
Offer Sustainability

| | |
|----------------------------|---|
| Sustainable offer status | Green Premium product |
| REACH Regulation | REACH Declaration |
| EU RoHS Directive | Pro-active compliance (Product out of EU RoHS legal scope) EU RoHS Declaration |
| Mercury free | Yes |
| RoHS exemption information | Yes |
| China RoHS Regulation | China RoHS declaration |
| Environmental Disclosure | Product Environmental Profile |
| Circularity Profile | End of Life Information |
| WEEE | The product must be disposed on European Union markets following specific waste collection and never end up in rubbish bins |
| PVC free | Yes |
| California proposition 65 | WARNING: This product can expose you to chemicals including: Lead and lead compounds, which is known to the State of California to cause cancer and birth defects or other reproductive harm. For more information go to www.P65Warnings.ca.gov |

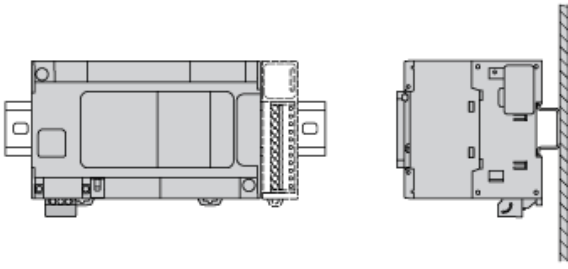
Dimensions



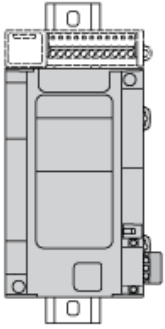
Clearance



Mounting Position

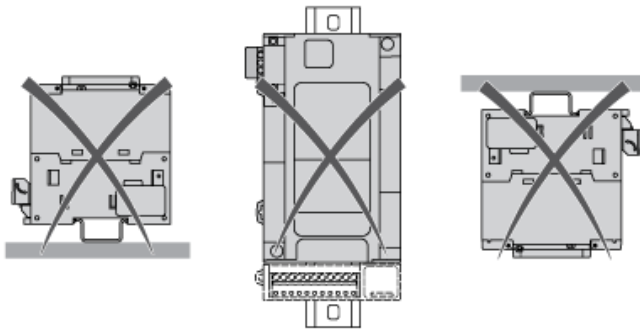


Acceptable Mounting



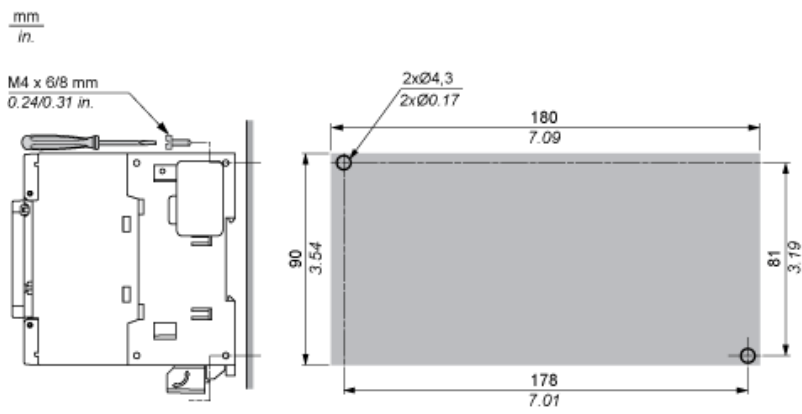
NOTE: Expansion modules must be mounted above the logic controller.

Incorrect Mounting



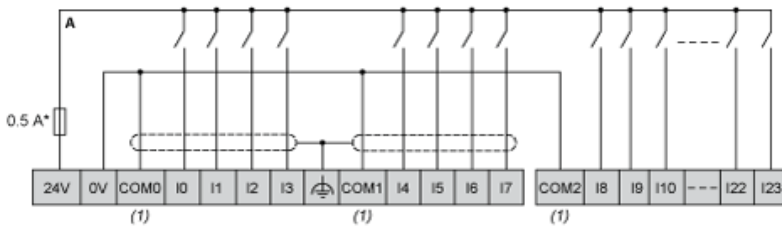
Direct Mounting On a Panel Surface

Mounting Hole Layout



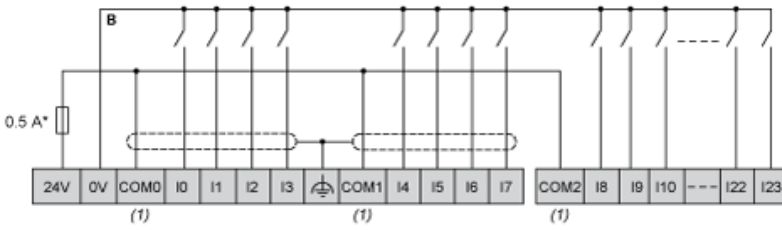
Digital Inputs

Wiring Diagram (Positive Logic)



- (*) : Type T fuse
- (1) : The COM0, COM1 and COM2 terminals are not connected internally.

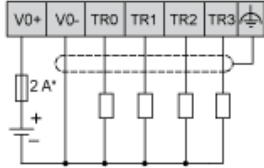
Wiring Diagram (Negative Logic)



- (*) : Type T fuse
- (1) : The COM0, COM1 and COM2 terminals are not connected internally.

Fast Transistor Outputs

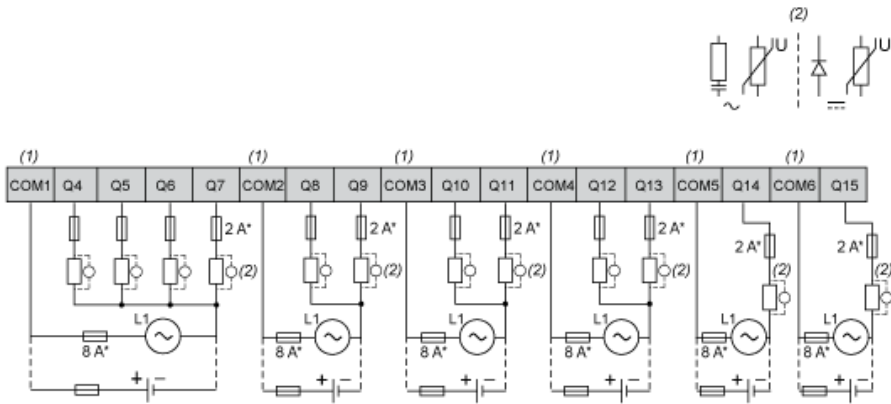
Wiring Diagram



(*) : 2 A fast-blow fuse

Relay Outputs

Wiring Diagram

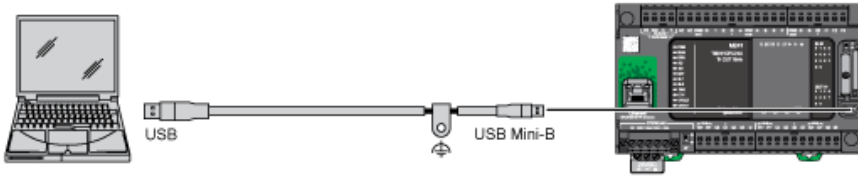


(*) : Type T fuse

(1) : The terminals COM1 to COM6 are not connected internally.

(2) : To improve the life time of the contacts, and to protect from potential inductive load damage, you must connect a free wheeling diode in parallel to the load.

USB Mini-B Connection



Recommended replacement(s)