



### Main

|                              |  |
|------------------------------|--|
| Range of product             | OsiSense XC  |
| Series name                  | Basic  |
| Product or component type    | Limit switch   |
| Product specific application | Light to medium duty   |
| Device short name            | XCJ  |
| Body type                    | Fixed  |
| Head type                    | Plunger head   |
| Material                     | Plastic  |
| Fixing mode                  | By the body  |
| Movement of operating head   | Linear   |
| Type of operator             | Spring return lever plunger steel long and flat                    |
| Switch actuation             | On end   |
| Type of approach             | Vertical approach, 1 direction                                     |
| Electrical connection        | Screw-clamp terminals  |
| Cable entry                  | 1 flexible rubber cable gland, cable outer diameter: 8.5...10.5 mm |
| Number of poles              | 1  |
| Contact operation            | Snap action  |
| Positive opening             | Without  |
| Maximum force for tripping   | 1.3 N  |

### Complementary

|   |  |
|---|--|
| Contacts insulation form                            | C  |
| Minimum release force                               | 0.39 N   |
| Minimum actuation speed                             | 0.01 mm/s  |
| Maximum actuation speed                             | 0.5 m/s  |
| Maximum operating rate                              | 120 cyc/mn   |
| Contact code designation                            | A300, AC (U <sub>e</sub> = 240 V), I <sub>e</sub> = 10 A, I <sub>the</sub> = 10 A conforming to IEC 60947-5-1<br>R300, DC (U <sub>e</sub> = 220 V), I <sub>e</sub> = 0.3 A conforming to IEC 60947-5-1 |
| Maximum resistance across terminals                 | 25 MOhm  |
| [U <sub>imp</sub> ] rated impulse withstand voltage | 4 kV conforming to EN/IEC 60664  |
| Electrical durability                               | 800000 cycles, AC, 10 A, 220 V   |
| Mechanical durability                               | 10000000 cycles  |
| Width   | 22 mm  |
| Height  | 50 mm  |
| Depth   | 79 mm  |
| Net weight  | 0.057 kg   |
| Terminals description ISO n°1                       | (NO-NC-C)OF  |

### Environment




|                                       |  |
|---------------------------------------|--|
| Shock resistance                      | 10 gn for 11 ms conforming to IEC 60068-2-27           |
| Vibration resistance                  | +/- 1.5 mm (f= 10...55 Hz) conforming to IEC 60068-2-6 |
| IP degree of protection               | IP40 conforming to IEC 60529                           |
| Electrical shock protection class     | Class II conforming to EN/IEC 60947-5-1                |
| Ambient air temperature for operation | -25...70 °C  |

|                                     |                             |
|-------------------------------------|-----------------------------|
| Ambient air temperature for storage | -40...70 °C                 |
| Marking                             | CE<br>CCC                   |
| Standards                           | IEC 60947-5-1<br>GB 14048.5 |

## Packing Units

|                              |           |
|------------------------------|-----------|
| Unit Type of Package 1       | PCE       |
| Number of Units in Package 1 | 1         |
| Package 1 Height             | 2.000 cm  |
| Package 1 Width              | 5.500 cm  |
| Package 1 Length             | 8.000 cm  |
| Package 1 Weight             | 60.000 g  |
| Unit Type of Package 2       | S03       |
| Number of Units in Package 2 | 150       |
| Package 2 Height             | 30.000 cm |
| Package 2 Width              | 30.000 cm |
| Package 2 Length             | 40.000 cm |
| Package 2 Weight             | 9.998 kg  |
| Unit Type of Package 3       | P06       |
| Number of Units in Package 3 | 1200      |
| Package 3 Height             | 75.000 cm |
| Package 3 Width              | 80.000 cm |
| Package 3 Length             | 60.000 cm |
| Package 3 Weight             | 87.984 kg |

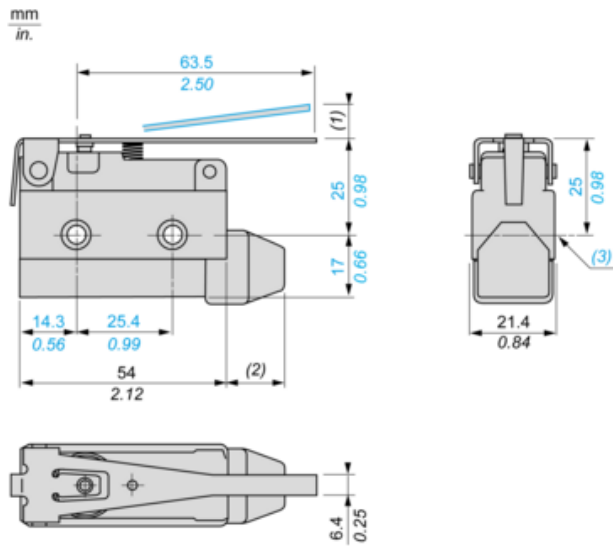
## Offer Sustainability

|                            |   |
|----------------------------|---|
| REACH Regulation           |  <a href="#">REACH Declaration</a>   |
| EU RoHS Directive          | Pro-active compliance (Product out of EU RoHS legal scope)  <a href="#">EU RoHS Declaration</a>  |
| Mercury free               | Yes   |
| RoHS exemption information |  <a href="#">Yes</a>   |
| California proposition 65  | WARNING: This product can expose you to chemicals including: Diisononyl phthalate (DINP), which is known to the State of California to cause cancer, and Di-isodecyl phthalate (DIDP), which is known to the State of California to cause birth defects or other reproductive harm. For more information go to <a href="http://www.P65Warnings.ca.gov">www.P65Warnings.ca.gov</a> |

## Contractual warranty

|          |           |
|----------|-----------|
| Warranty | 18 months |
|----------|-----------|

Dimensions



- (1) : 8.5 mm max / 0.33 in. max  
(2) : 16.5 mm max / 0.64 in. max  
(3) : 2 x Ø4.2 mm / 2 x Ø0.16 mm

---

## Connection and Schema

---

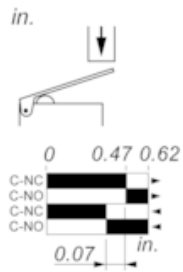
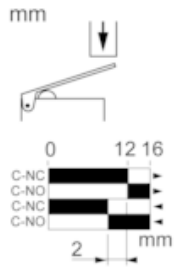
### Wiring Diagram

Single pole 1C/O



Technical Description

Type of Operator and Functional Diagram, Travel Distance



- (1)
- (2)
- ▶ (3)
- ◀ (4)

- (1) : Contact closed
- (2) : Contact open
- (3) : Tripping
- (4) : Resetting