



## Main

|                               |   |
|-------------------------------|---|
| Range of product              | Telemecanique Limit switches XC Standard                                  |
| Series name                   | Standard format   |
| Product or component type     | Limit switch  |
| Device short name             | XCKJ  |
| Sensor design                 | Form A conforming to CENELEC EN 50041                                     |
| Body type                     | Fixed   |
| Head type                     | Rotary head   |
| Material                      | Metal   |
| Body material                 | Zamak   |
| Head material                 | Zamak   |
| Fixing mode                   | By the body   |
| Movement of operating head    | Rotary  |
| Type of operator              | Spring return roller lever thermoplastic                                  |
| Type of approach              | Lateral approach, 1 or 2 programmable direction                           |
| Cable entry                   | 1 entry tapped for M20 x 1.5 cable gland, cable outer diameter: 7...13 mm |
| Number of poles               | 2   |
| Contacts type and composition | 1 NC + 1 NO   |
| Contact operation             | Slow-break, break before make   |

## Complementary

|  |   |
|--|---|
| Switch actuation                             | By 30° cam  |
| Electrical connection                        | Screw-clamp terminals, clamping capacity: 1 x 0.5...2 x 2.5 mm <sup>2</sup>   |
| Contacts insulation form                     | Zb  |
| Number of steps                              | 1   |
| Positive opening                             | With  |
| Positive opening minimum torque              | 0.5 N.m   |
| Minimum torque for tripping                  | 0.25 N.m  |
| Minimum actuation speed                      | 6 m/min   |
| Maximum actuation speed                      | 1.5 m/s   |
| [Ie] rated operational current               | 3 A at 240 V, AC-15, A300 conforming to EN/IEC 60947-5-1 appendix A<br>0.27 A at 250 V, DC-13, Q300 conforming to EN/IEC 60947-5-1 appendix A   |
| [Ithe] conventional enclosed thermal current | 10 A  |
| [Ui] rated insulation voltage                | 300 V conforming to UL 508<br>500 V (pollution degree 3) conforming to IEC 60947-1<br>300 V conforming to CSA C22.2 No 14   |
| Maximum resistance across terminals          | 25 MOhm conforming to IEC 60255-7 category 3  |
| [Uimp] rated impulse withstand voltage       | 6 KV conforming to IEC 60664<br>6 kV conforming to IEC 60947-1  |
| Short-circuit protection                     | 10 A cartridge fuse, type gG  |
| Electrical durability                        | 5000000 Cycles, DC-13, inductive load type, 120 V, 4 W, operating rate <60 cyc/mn, load factor: 0.5 conforming to IEC 60947-5-1 appendix C<br>5000000 Cycles, DC-13, inductive load type, 24 V, 10 W, operating rate <60 cyc/mn, load factor: 0.5 conforming to IEC 60947-5-1 appendix C<br>5000000 cycles, DC-13, inductive load type, 48 V, 7 W, operating rate <60 cyc/mn, load factor: 0.5 conforming to IEC 60947-5-1 appendix C |
| Mechanical durability                        | 30000000 cycles   |

|                               |                        |
|-------------------------------|------------------------|
| Width                         | 40 mm                  |
| Height                        | 77 mm                  |
| Depth                         | 44 mm                  |
| Net weight                    | 0.48 kg                |
| Terminals description ISO n°1 | (21-22)NC<br>(13-14)NO |

## Environment

|                                       |   |
|---------------------------------------|---|
| Shock resistance                      | 50 gn for 11 ms conforming to IEC 60068-2-27  |
| Vibration resistance                  | 25 gn (f= 10...500 Hz) conforming to IEC 60068-2-6  |
| IP degree of protection               | IP66 conforming to IEC 60529  |
| IK degree of protection               | IK07 conforming to EN 50102   |
| Overvoltage category                  | Class I conforming to IEC 61140<br>Class I conforming to NF C 20-030  |
| Ambient air temperature for operation | -25...70 °C   |
| Ambient air temperature for storage   | -40...70 °C   |
| Protective treatment                  | TH  |
| Product certifications                | CSA<br>CCC<br>UL  |
| Standards                             | EN 60947-5-1<br>CSA C22.2 No 14<br>CENELEC EN 50041<br>IEC 60204-1<br>EN 60204-1<br>IEC 60947-5-1<br>UL 508 |

## Packing Units

|                              |          |
|------------------------------|----------|
| Unit Type of Package 1       | PCE      |
| Number of Units in Package 1 | 1        |
| Package 1 Height             | 4.2 cm   |
| Package 1 Width              | 7 cm     |
| Package 1 Length             | 12.8 cm  |
| Package 1 Weight             | 474 g    |
| Unit Type of Package 2       | S02      |
| Number of Units in Package 2 | 18       |
| Package 2 Height             | 15 cm    |
| Package 2 Width              | 30 cm    |
| Package 2 Length             | 40 cm    |
| Package 2 Weight             | 8.817 kg |

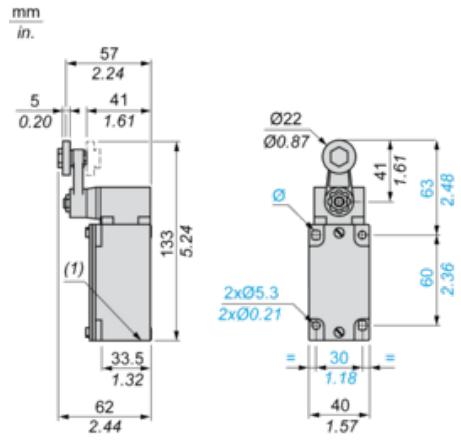
## Offer Sustainability

|                            |   |
|----------------------------|---|
| Sustainable offer status   | Green Premium product   |
| REACH Regulation           |  <a href="#">REACH Declaration</a>   |
| EU RoHS Directive          | Pro-active compliance (Product out of EU RoHS legal scope)  <a href="#">EU RoHS Declaration</a>  |
| Mercury free               | Yes   |
| RoHS exemption information |  <a href="#">Yes</a>   |
| Environmental Disclosure   |  <a href="#">Product Environmental Profile</a>   |
| California proposition 65  | WARNING: This product can expose you to chemicals including: Diisononyl phthalate (DINP), which is known to the State of California to cause cancer, and Di-isodecyl phthalate (DIDP), which is known to the State of California to cause birth defects or other reproductive harm. For more information go to <a href="http://www.P65Warnings.ca.gov">www.P65Warnings.ca.gov</a> |

## Contractual warranty

|          |           |
|----------|-----------|
| Warranty | 18 months |
|----------|-----------|

Dimensions



(1) 1 tapped entry M20 x 1.5

### Mounting with Cable Entry

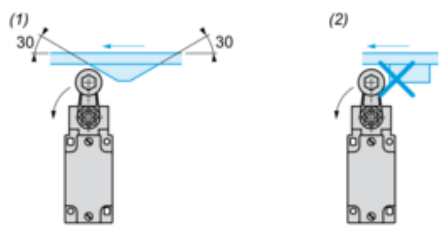
#### Position of Cable Gland



- (1) Recommended
- (2) To be avoided

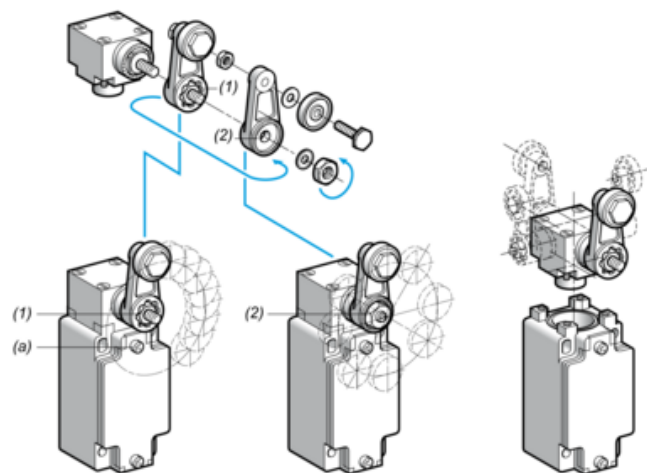
### Mounting with Rotary Heads and Levers

#### Type of Cam



- (1) Recommended
- (2) To be avoided

### Setting-up with Lever Head



- (1) 5° steps throughout 360° / Tightening torque (Min : 1) (Max : 1.5)
- (2) 45° steps throughout 360° / Tightening torque (Min : 1) (Max : 1.5)
- (a) Tightening torque (Min : 1) (Max : 1.5)

### Setting-up with Head ZCKE05

## Direction of Actuation Programming

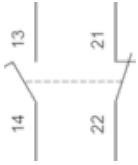


---

Wiring Diagram

---

2-pole NC + NO Break before Make, Slow Break

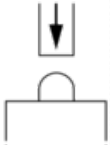


---

Characteristics of Actuation

---

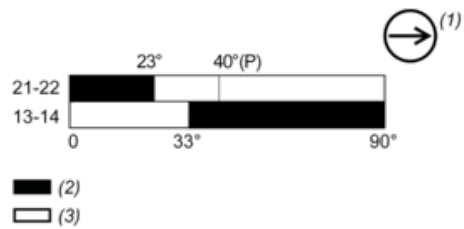
Switch Actuation on End



---

Functionnal Diagram

---



- (2)
- (3)

- (P) Positive opening point
- (1) NC contact with positive opening operation
- (2) Closed
- (3) Open