

# XS618B1PAM12

Inductive proximity sensors XS, inductive sensor XS6 M18, L74mm, brass, Sn8mm, 12...48 VDC, M12



## Main

|                                    |   |
|------------------------------------|---|
| Range of product                   | Telemecanique Inductive proximity sensors XS                  |
| Series name                        | General purpose   |
| Sensor type                        | Inductive proximity sensor                                    |
| Device application                 | Mobile equipment  |
| Sensor name                        | XS6   |
| Sensor design                      | Cylindrical M18   |
| Size                               | 74 mm   |
| Body type                          | Fixed   |
| Detector flush mounting acceptance | Flush mountable   |
| Material                           | Metal   |
| Type of output signal              | Discrete  |
| Wiring technique                   | 3-wire  |
| [Sn] nominal sensing distance      | 8 mm  |
| Discrete output function           | 1 NO  |
| Output circuit type                | DC  |
| Discrete output type               | PNP   |
| Electrical connection              | Male connector M12, 4 pins                                    |
| [Us] rated supply voltage          | 12...48 V DC with reverse polarity protection                 |
| Switching capacity in mA           | <= 200 mA DC with overload and short-circuit protection       |
| IP degree of protection            | IP67 conforming to IEC 60529<br>IP69K conforming to DIN 40050 |

## Complementary

|                        |                              |
|------------------------|------------------------------|
| Thread type            | M18 x 1                      |
| Detection face         | Frontal                      |
| Front material         | PPS                          |
| Enclosure material     | Nickel plated brass          |
| Sensing range          | > 4...8 mm                   |
| Operating zone         | 0...6.4 mm                   |
| Differential travel    | 1...15% of Sr                |
| Status LED             | Output state: 1 LED (yellow) |
| Supply voltage limits  | 10...58 V DC                 |
| Switching frequency    | <= 1000 Hz                   |
| Maximum voltage drop   | <2 V (closed)                |
| Current consumption    | <= 10 mA no-load             |
| Maximum delay first up | 10 ms                        |
| Maximum delay response | 0.3 ms                       |
| Maximum delay recovery | 0.7 ms                       |
| Marking                | CE                           |
| Threaded length        | 52 mm                        |
| Length                 | 74 mm                        |
| Net weight             | 0.04 kg                      |

## Environment

|                                       |   |
|---------------------------------------|---|
| Product certifications                | CSA<br>E2<br>UL   |
| Ambient air temperature for operation | -25...70 °C   |
| Ambient air temperature for storage   | -40...85 °C   |
| Vibration resistance                  | 25 gn amplitude = +/- 2 mm (f = 10...55 Hz) conforming to IEC 60068-2-6 |
| Shock resistance                      | 50 gn for 11 ms conforming to IEC 60068-2-27                            |

## Packing Units

|                              |           |
|------------------------------|-----------|
| Unit Type of Package 1       | PCE       |
| Number of Units in Package 1 | 1         |
| Package 1 Height             | 2.3 cm    |
| Package 1 Width              | 10.0 cm   |
| Package 1 Length             | 12.0 cm   |
| Package 1 Weight             | 62.0 g    |
| Unit Type of Package 2       | S02       |
| Number of Units in Package 2 | 44        |
| Package 2 Height             | 15.0 cm   |
| Package 2 Width              | 30.0 cm   |
| Package 2 Length             | 40.0 cm   |
| Package 2 Weight             | 3.252 kg  |
| Unit Type of Package 3       | P06       |
| Number of Units in Package 3 | 704       |
| Package 3 Height             | 75.0 cm   |
| Package 3 Width              | 80.0 cm   |
| Package 3 Length             | 60.0 cm   |
| Package 3 Weight             | 60.032 kg |

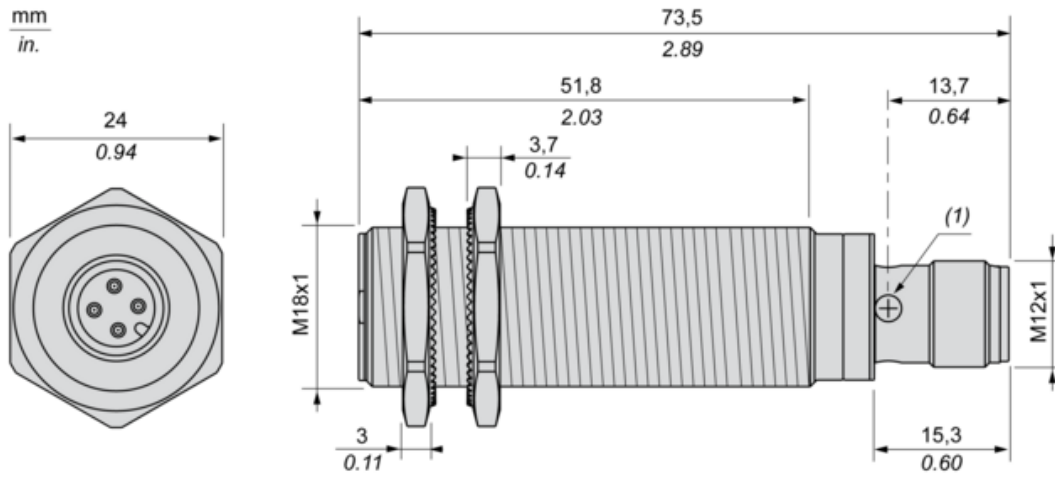
## Offer Sustainability

|                            |   |
|----------------------------|---|
| Sustainable offer status   | Green Premium product   |
| REACH Regulation           | <a href="#">REACH Declaration</a>   |
| EU RoHS Directive          | Pro-active compliance (Product out of EU RoHS legal scope) <a href="#">EU RoHS Declaration</a>  |
| Mercury free               | Yes   |
| RoHS exemption information | <a href="#">Yes</a>   |
| Environmental Disclosure   | <a href="#">Product Environmental Profile</a>   |
| Circularity Profile        | <a href="#">End Of Life Information</a>   |
| California proposition 65  | WARNING: This product can expose you to chemicals including: Diisononyl phthalate (DINP), which is known to the State of California to cause cancer, and Di-isodecyl phthalate (DIDP), which is known to the State of California to cause birth defects or other reproductive harm. For more information go to <a href="http://www.P65Warnings.ca.gov">www.P65Warnings.ca.gov</a> |

## Contractual warranty

|          |           |
|----------|-----------|
| Warranty | 18 months |
|----------|-----------|

Dimensions

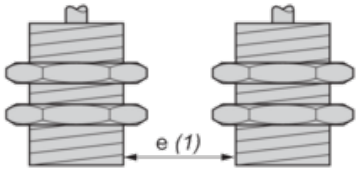


---

Minimum Mounting Distances

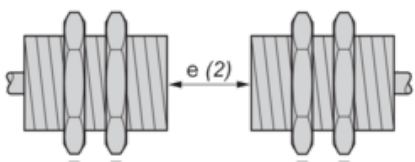
---

Side by side



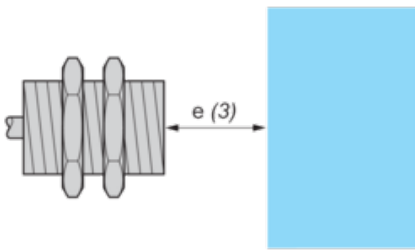
$e(1) \geq 16 \text{ mm}/0.63 \text{ in.}$

Face to face



$e(2) \geq 100 \text{ mm}/3.94 \text{ in.}$

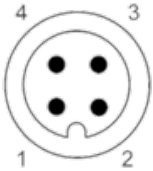
Facing a metal object



$e(3) \geq 25 \text{ mm}/0.98 \text{ in.}$

## Wiring Schemes

M12 connector



PNP

