

XS7C4A1MPP20

Inductive proximity sensors XS, inductive sensor XS7 40x40x117, PBT, Sn15 mm, 24...240VAC/DC, terminals



Main

| | |
|------------------------------------|-----------------------------------------------------------------------------------------------|
| Range of product | Telemecanique Inductive proximity sensors XS |
| Series name | General purpose |
| Sensor type | Inductive proximity sensor |
| Device application | - |
| Sensor name | XS7 |
| Sensor design | Form 40 x 40 x 117 |
| Size | 117 mm |
| Body type | Fixed |
| Detector flush mounting acceptance | Flush mountable |
| Material | Plastic |
| Enclosure material | PBT |
| Type of output signal | Discrete |
| Wiring technique | 2-wire |
| [Sn] nominal sensing distance | 15 mm |
| Discrete output function | 1 NO or 1 NC programmable |
| Output circuit type | AC/DC |
| Electrical connection | Screw-clamp terminals, 4 x 1.5 mm ² |
| [Us] rated supply voltage | 24...240 V AC 50/60 Hz 24...240 V DC |
| Switching capacity in mA | 5...200 mA DC 5...300 mA AC |
| IP degree of protection | IP67 conforming to IEC 60529 IP65 conforming to IEC 60529 IP69K conforming to DIN 40050 |

Complementary

| | |
|--------------------------|----------------------------------------------------------|
| Detection face | 5 positions turret head |
| Front material | PBT |
| Operating zone | 0...12 mm |
| Differential travel | 3...15% of Sr |
| Repeat accuracy | <= 3% of Sr |
| Cable entry number | 1 tapped entry for M20 x 1.5 cable gland |
| Status LED | Supply on: 1 LED (green) Output state: 1 LED (yellow) |
| Supply voltage limits | 20...264 V AC/DC |
| Maximum residual current | 1.5 MA open state 120 V 0.6 mA open state 24 V |
| Switching frequency | <= 25 Hz AC <= 50 Hz DC |
| Maximum voltage drop | <5.5 V (closed) |
| Maximum delay first up | 7.5 ms |
| Maximum delay response | 1.2 ms |
| Maximum delay recovery | 1.8 ms |
| Marking | CE |
| Height | 40 mm |
| Length | 40 mm |

| | |
|------------|----------|
| Width | 117 mm |
| Net weight | 0.244 kg |

Environment

| | |
|---------------------------------------|-------------------------------------------------------------------------|
| Product certifications | CCC UL CSA |
| Ambient air temperature for operation | -25...70 °C |
| Ambient air temperature for storage | -40...85 °C |
| Vibration resistance | 25 gn amplitude = +/- 2 mm (f = 10...55 Hz) conforming to IEC 60068-2-6 |
| Shock resistance | 50 gn for 11 ms conforming to EN 60068-2-27 |

Packing Units

| | |
|------------------------------|-----------|
| Unit Type of Package 1 | PCE |
| Number of Units in Package 1 | 1 |
| Package 1 Height | 14.500 cm |
| Package 1 Width | 5.000 cm |
| Package 1 Length | 5.000 cm |
| Package 1 Weight | 241.000 g |
| Unit Type of Package 2 | S02 |
| Number of Units in Package 2 | 14 |
| Package 2 Height | 15.000 cm |
| Package 2 Width | 30.000 cm |
| Package 2 Length | 40.000 cm |
| Package 2 Weight | 3.678 kg |

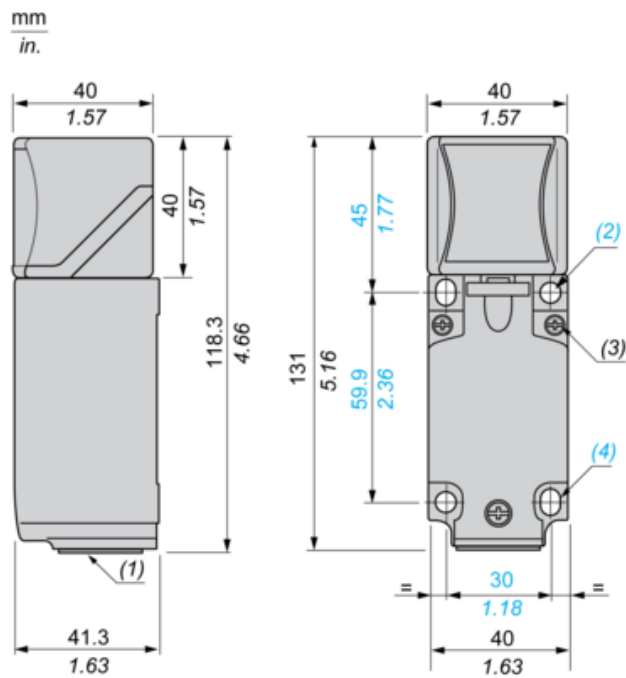
Offer Sustainability

| | |
|----------------------------|-----------------------------------------------------------------------------------------------------------------------------------------------------------------------------------------------------------------------------------------------------------------------------------------------------------------------------------------------------------------------------------|
| Sustainable offer status | Green Premium product |
| REACH Regulation | REACH Declaration |
| EU RoHS Directive | Pro-active compliance (Product out of EU RoHS legal scope) EU RoHS Declaration |
| Mercury free | Yes |
| RoHS exemption information | Yes |
| Environmental Disclosure | Product Environmental Profile |
| California proposition 65 | WARNING: This product can expose you to chemicals including: Diisononyl phthalate (DINP), which is known to the State of California to cause cancer, and Di-isodecyl phthalate (DIDP), which is known to the State of California to cause birth defects or other reproductive harm. For more information go to www.P65Warnings.ca.gov |

Contractual warranty

| | |
|----------|-----------|
| Warranty | 18 months |
|----------|-----------|

Dimensions



(1) : M20 x 1.5 cable gland.

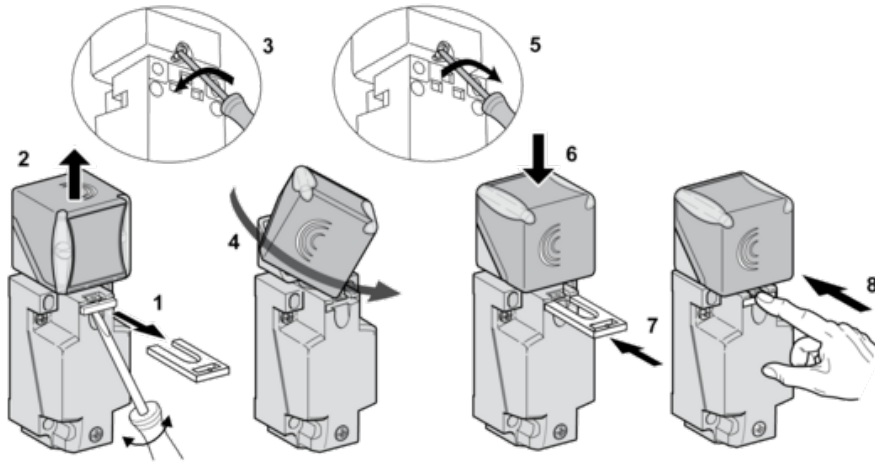
(2) : 2 holes \varnothing 5,45 mm / \varnothing 0.21 in. Tightening torque: < 1,5 Nm / < 13.3 lb-in.

(3) : 3 screws M3,5. Tightening torque: < 1,2 Nm / < 10.6 lb-in.

(4) : 2 elongated holes 5,4 x 7,4 mm / 0.21 x 0.29 in. Tightening torque: < 1,5 Nm / < 13.3 lb-in".

Mounting

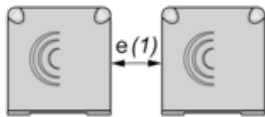
Head Positions



Setting-up Precautions

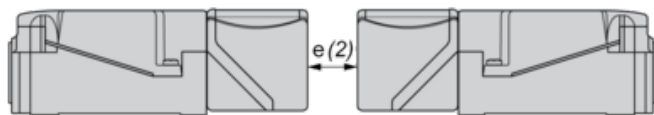
Minimum Mounting Distances (mm)

Side by Side



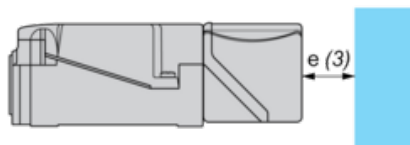
$e(1) \geq 60$

Face to Face



$e(2) \geq 120$

Facing a Metal Object



$e(3) \geq 45$

Wiring Schemes

2-Wire AC or DC (Programmable)

